



**KOALA**  
EQUIPMENT  
YOUR CONTINUOUS BELAY SYSTEM EXPERTS

C  
A  
T  
A  
L  
O  
G

CONTINUOUS BELAY SYSTEM 🗝️ WIRE  
ROPE 🗝️ OBSACLE 🗝️ ROPE & NETS 🗝️  
PROTECTION 🗝️ PPE EQUIPMENT

[WWW.KOALA-EQUIPMENT.COM](http://WWW.KOALA-EQUIPMENT.COM)



# CONTINUOUS BELAY SYSTEM WITH PULLEY

- P.3 > FUNCTION OF THE CONTINUOUS BELAY SYSTEM
- P.3 > SOME RECOMMENDATIONS
- P.4 > HOW TO CHOOSE YOUR CONTINUOUS BELAY SYSTEM

## P.5 FIXING ON TREE

- P.5 > METAL STRAP & U-PARTS
- P.5 > WIRE ROPE SLINGS & MAILLONS RAPIDE
- P.5 > WIRE ROPE & MOUNTED SHACKLE LOCK
- P.6 > LESS THAN 150 METRE LONG (492'1") ZIPLINE
- P.6 > MORE THAN 150 METRE LONG (492'1") ZIPLINE

## P.7 FIXING ON ARTIFICIAL SUPPORT

- P.7 > DOUBLE BRACKETS & TWISTED FLAT ARMS
- P.8 > LESS THAN 150 METRE LONG (492'1") ZIPLINE
- P.8 > MORE THAN 150 METRE LONG (492'1") ZIPLINE

## P.9 ACCESSORIES

- P.9 > CONTINUOUS BELAY SYSTEM ACCESSORIES
- P.11 > PULLEY
- P.12 > SWAPPERS
- P.13 > SWITCH
- P.13 > CLIMB-UP
- P.14 > CONTINUOUS BELAY SYSTEM ZIP BRAKES

# CONTINUOUS BELAY SYSTEM WITH HOOK

## P.15 ADVENTURE PARK

- P.15 > RUPT
- P.15 > PACK T
- P.15 > PACK 100
- P.15 > PACK 20
- P.15 > INOX
- P.16 > IPACK
- P.16 > X-QUAD
- P.16 > LANYARDS AND HOOK

## P.17 VIA FERRATA

- P.17 > NEWVIA
- P.17 > PACK 100 +
- P.18 > IPACK
- P.18 > X-QUAD
- P.18 > WEDGE
- P.18 > A-FIX
- P.18 > LANYARDS AND HOOK

# OTHER MATERIALS

## P.19 WIRE ROPES & ACCESSORIES

- P.19 > GENERAL INFORMATION
- P.21 > WIRE ROPES
- P.22 > WIRE ROPE ACCESSORIES
- P.23 > TOOLS
- P.25 > HARDWARE

## P.27 OBSTACLES

- P.27 > PLATFORM
- P.27 > HORIZONTAL OBSTACLES
- P.29 > VERTICAL OBSTACLES
- P.32 > INFORMATION PANELS

## P.33 ROPES & NETS

- P.33 > EASYFIX CLEVIS ROPES
- P.34 > ROPES
- P.35 > NETS

## P.36 PROTECTIVE PLASTICS

- P.36 > PLASTIC CAPS & SLEEVES
- P.36 > FOAM & COVERS

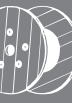
## P.37 PPE EQUIPMENT

- P.37 > HARNESES
  - CHILDREN
  - YOUTH & ADULTS
  - COMPLETE HARNESS KIT FOR YOUTH & ADULTS
  - INSTRUCTORS
  - LARGE ADULTS
  - CHEST HARNESES

- P.38 > HELMETS
  - CHILDREN
  - WOMEN & CHILDREN
  - YOUTH & ADULTS

- P.38 > LANYARDS
  - I (SIMPLE)
  - Y (SYMETRIC)
  - Y (ASYMMETRIC)
  - TARZAN LANYARDS
  - ACCESSORIES
- P.39 > PULLEYS
  - PULLEY FOR KOALA EQUIPMENT
  - CONTINUOUS BELAY SYSTEM
  - SELF BELAY SYSTEM PULLEYS
  - OTHERS PULLEYS

- P.40 > RESCUE KITS
- P.40 > KARABINERS
- P.41 > QUICK LINKS
- P.42 > FALL ARRESTERS
  - ENERGY ABSORBER
  - ASCENT DEVICES
  - DESCENT DEVICES
- P.43 > ACCESSORIES





# CONTINUOUS BELAY SYSTEM WITH PULLEY



## FUNCTION OF THE CONTINUOUS BELAY SYSTEM

KOALA EQUIPMENT continuous belay system enables users to avoid falls at height.

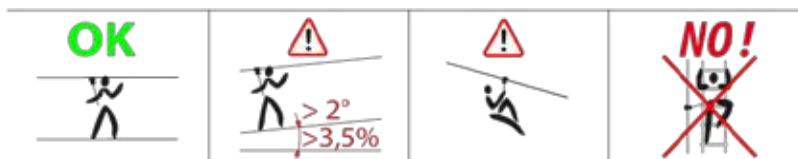
It is designed for obstacles with no more than a 2° or 3.5% slope. For obstacles with a greater slope (net bridges, stairs with handrails etc...) users' safety must be ensured by the obstacle itself (net, handrail etc...) or with a fall arrester.

In these cases, the continuous lifeline does not ensure safety but simply allows for continuity of the lifeline.

On vertical activities, ascending or descending, the SWITCH must be associated with a fall arrester or a descender.

It is your responsibility to check that these devices are compatible.

For pendulum jumps (Tarzan swings) the SWITCH must be associated with the jump rope / wire rope.

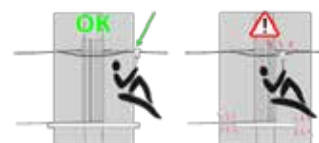


KOALA EQUIPMENT continuous belay system and its components are compatible with KOALA EQUIPMENT POULIZ only.

## SOME RECOMMENDATIONS

KOALA EQUIPMENT continuous belay lifeline is designed to be installed with the following wire ropes :

- Galvanized steel wire ropes 19 x 7 metallic core, anti-rotating,
  - Swaged galvanized steel wire ropes 6 x 26, metallic core.
  - Galvanized steel wire ropes, 6 x 7 textile core, lang forming.
- It can be installed with Ø12 mm wire rope or Ø ½" in depending on the materials you have chosen.  
Never install materials designed for Ø½" in wire rope on Ø12 mm (0.47") wire rope or vice versa.



The platforms and obstacles must be in place prior to installing the continuous belay system. To avoid premature wear and tear of the wire rope due to fatigue, ensure that the platforms are big enough to avoid the users from hanging between 2 arms (grey zone on the drawing).

If you wish to install the continuous belay system arms differently to the description in the manual provided at purchase, you must ensure that your system is strong enough to take on the efforts required by the safety factors. To do so, refer to the standards in force for sizing. In case of doubt, we advise you to add a back up.

The recommended height for the lifeline is 1.6 m (5'2,99") relative to the users' feet.

Recommended length of the lanyard for this height :

- Participants who weigh more than 35 kg (75 lbs) with a sit harness = 75 cm (2'5.52")
- Participants who weigh less than 40 kg (85 lbs) with a full body harness = 85 cm (2'9.46")

If you wish to place the lifeline at any other height or change the length of the lanyard, you must take the two following elements into consideration :

1<sup>st</sup>) The fall factor depending on the position of the lifeline relative to the lanyard's anchor on the user. It determines the sustained efforts in case of a fall. Fall factor = height of the fall ÷ length of the lanyard (the result must be as low as possible and never above 1)



2<sup>nd</sup>) The air draft : the distance to the first obstacle a user could hit, from his lanyard anchor, in case of a fall.

Air draft = length of the lanyard + distance of the user from his lanyard's anchor point to his feet + distance due to the wire rope sag due to the elasticity of the supports + the safety margin.

**Activities at height are potentially hazardous and may result in serious injury or death. This risk concerns installers, operating staff and users. The owners, installers and operators should read and keep the manual provided at time of purchase. It includes instructions for the installation, operating, inspection and maintenance of the product and compatible materials and equipment. KOALA EQUIPMENT continuous belay system and its components are compatible with KOALA EQUIPMENT PULLEY trolleys only.**



# HOW TO CHOOSE YOUR CONTINUOUS BELAY SYSTEM



## FIXING ON TREE



**WIRE ROPE & MOUNTED SHACKLE LOCK**  
| PAGE 5

**LESS THAN 150 METRE LONG (492'1") ZIPLINE**  
| PAGE 6

**MORE THAN 150 METRE LONG (492'1") ZIPLINE**  
| PAGE 6

## FIXING ON ARTIFICIAL SUPPORT



**DOUBLE BRACKETS & TWISTED FLAT ARMS**  
| PAGE 7

**LESS THAN 150 METRE LONG (492'1") ZIPLINE**  
| PAGE 8

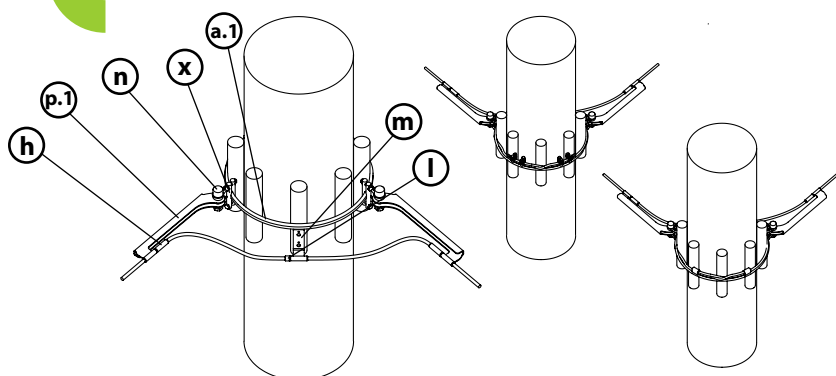
**MORE THAN 150 METRE LONG (492'1") ZIPLINE**  
| PAGE 8



# FIXING ON TREES



## WIRE ROPE & MOUNTED SHACKLE LOCK



**INSTALLING A CONTINUOUS BELAY SYSTEM WITH WIRE ROPE & MOUNTED SHACKLE LOCK**  
 | BREAKING LOAD :

Scan to see the installation video



	Reference	Name	Product		Reference	Name	Product
(a.1)	CA06-10	ø12mm(0.47in) swaged wire rope 2 thimbles - cut to size		(m)	ME48-F	screw-on metal bracket	
(h)	ME10	ferrule - 65 mm (2.5 in) long to be crimped		(n)	QU112-325	bow shackle b + p 5/8» - wll 3,25 t	
(l)	ME14	ferrule - 18 mm (0.7 in) long to be crimped		(x)	ME301-F	shackle lock	

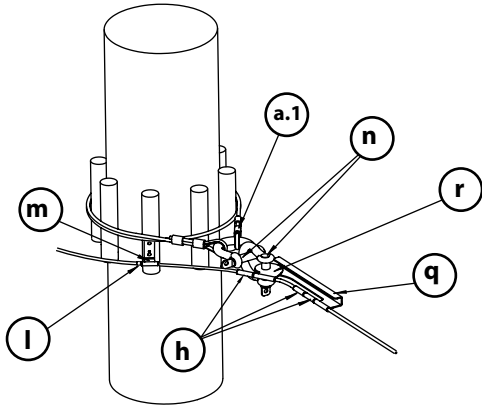


# ZIPLINE



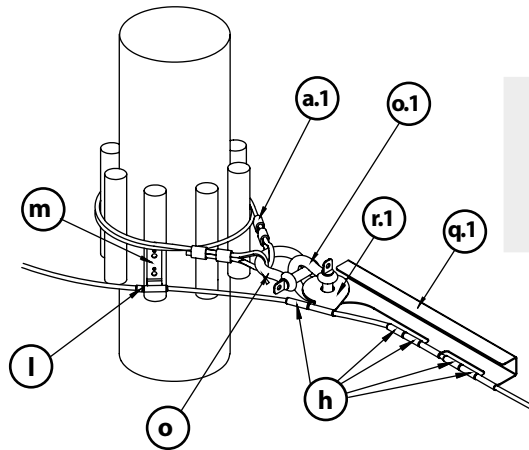
Less than 150 metres long (492'1")

More than 150 metres long (492'1")



## ZIPLINE START TREE TO TREE

| BREAKING LOAD : 100 kN

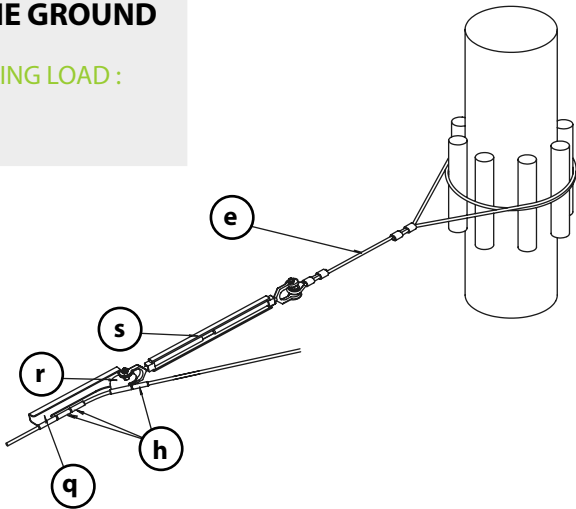


## ZIPLINE START

| BREAKING LOAD : 140 kN

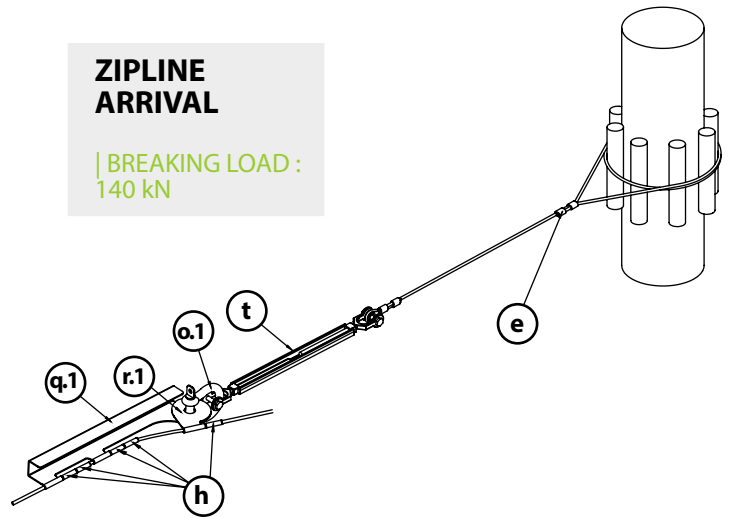
## ZIPLINE ARRIVAL ON THE GROUND

| BREAKING LOAD : 100 kN



## ZIPLINE ARRIVAL

| BREAKING LOAD : 140 kN



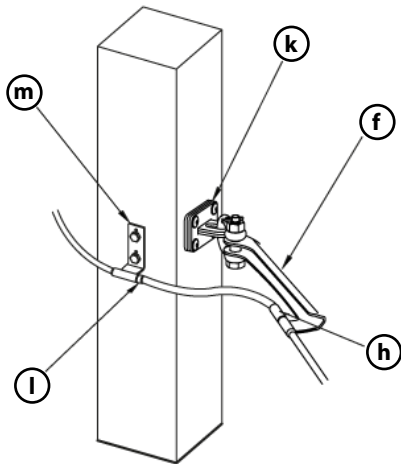
	Reference	Name	Product		Reference	Name	Product
(p.1)	ME300-F	arm activity		(q)	ME76-F	arm for zipline	
	QU130-12	wire rope clip « ce » for ø12 mm (0.47 in) wire rope		(q.1)	ME201-F	arm for long zipline	
(e)	QU36-13	aluminium ferrule n°13 for wire rope ø12mm		(r)	ME78-F	back-up for zipline arm	
	PR12-M18	protection caps for m18 nuts		(r.1)	ME202-F	back-up for long zipline arm	
	QU01-12L QU01-14L QU01-16L	ø12 mm (0.47 in) wire rope thimble		(t)	QU55-305 QU55-457	2 clevis turnbuckle	



# FIXING ON ARTIFICIAL SUPPORT



## DOUBLE BRACKETS & ARMS FOR ARTIFICIAL SUPPORT



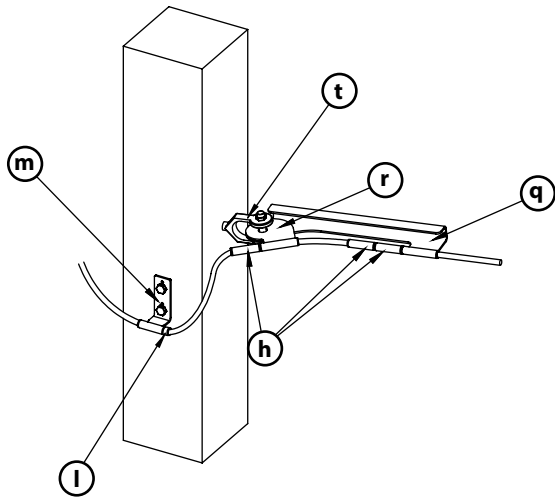
**INSTALLING A CONTINUOUS  
BELAY SYSTEM FOR ACTIVITY  
ON DOUBLE BRACKETS & ARMS**

| BREAKING LOAD : 60 kN

	Reference	Name	Product
ⓕ	ME300-F	arm for horizontal activity	
ⓗ	ME10	ferrule - 65 mm (2.5 in) long to be crimped	
Ⓚ	ME08	double bracket for fixing arms	
Ⓛ	ME14	ferrule - 18 mm (0.7 in) long to be crimped	
Ⓜ	ME48-F	screw-on metal bracket	



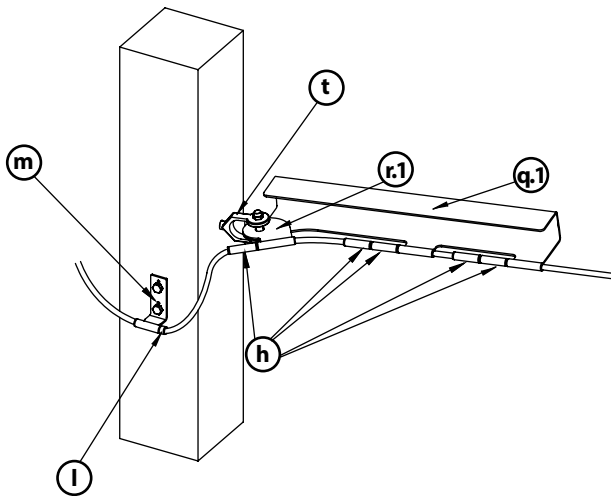
## LESS THAN 150 METRE LONG (492'1") ZIPLINE



### ZIPLINE START

| BREAKING LOAD : 100 kN

## MORE THAN 150 METRE LONG (492'1") ZIPLINE



### ZIPLINE START

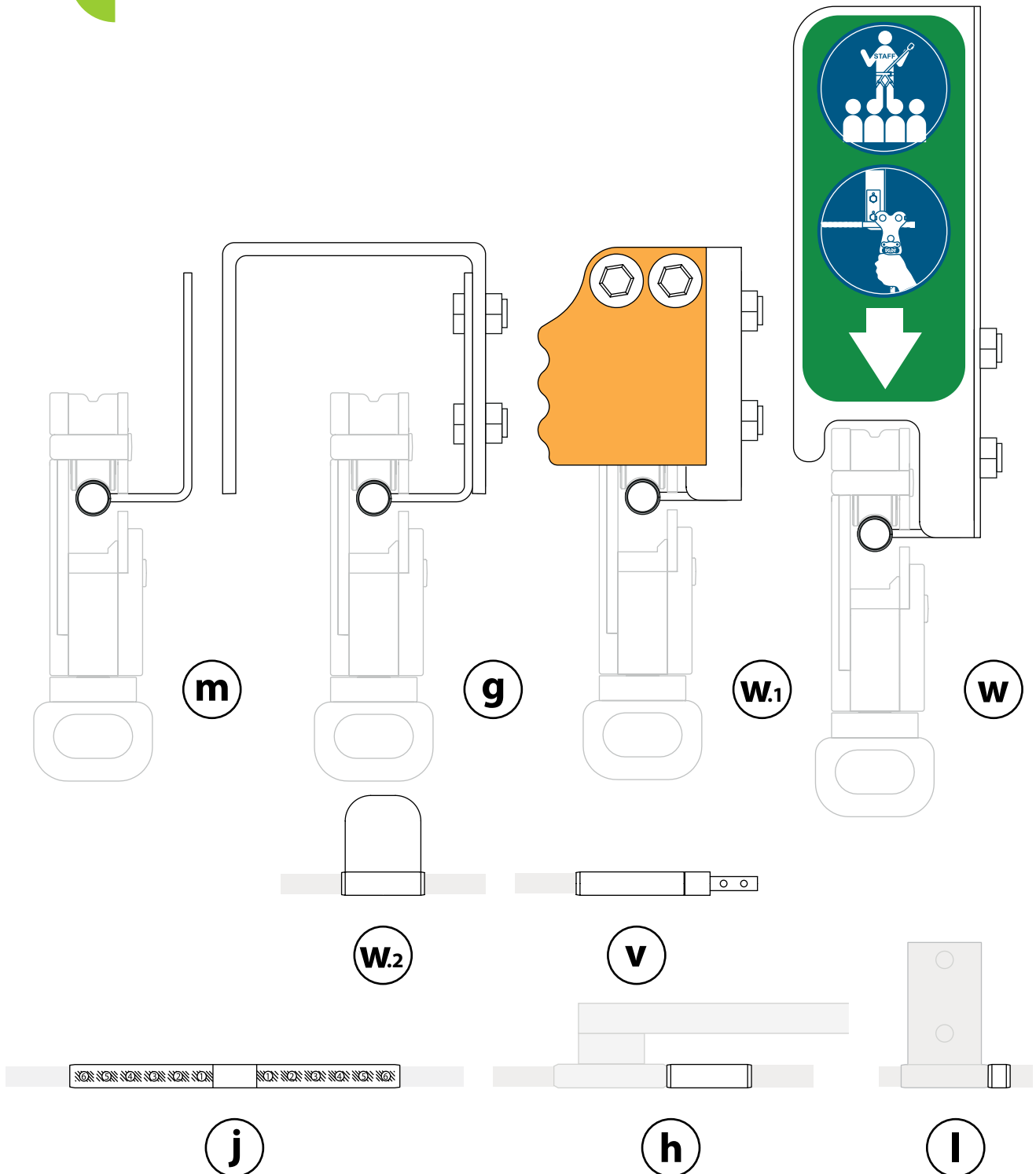
| BREAKING LOAD : 100 kN

	Référence	Nom du produit	Produit
q	ME76-F	arm for zipline	
q.1	ME201-F	arm for long zipline	
r	ME78-F	back-up for zipline arm	
r.1	ME202-F	back-up for long zipline arm	
t	QU55-305 QU55-457	2 clevis turnbuckle	



# ACCESSORIES

## ACCESSORIES FOR CONTINUOUS BELAY SYSTEM



m



### SCREW-ON METAL BRACKET

REF : ME48-F

The SCREW-ON METAL BRACKET (M), to keep the wire rope away from the supports and limit fatigue on the wire rope between the arms, provides a smoother run for the pulleys. The SCREW-ON METAL BRACKET (M) is not a safety device and cannot replace the arms. It is therefore essential that they are only installed between the arms.

W.2



### BACK-STOP FERRULE

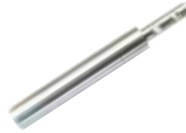
REF : ME11-FUS



The BACK-STOP FERRULE (W.2) blocks the KOALA EQUIPMENT POULIZ trolley on sloping activities such as stairs or horizontal activities such as nets.



v



### REMOVABLE FERRULE

REF : ME12-MA MALE

L'OLIVE AMOVIBLE (V) permet le remplacement facile du nouvel AIGUILLAGE Y 2.0 (Y) sans avoir à couper le câble.

j



### REMOVABLE CONNECTING FERRULE - Ø1/2 inch wire rope

REF : ME12

The purpose of the CONNECTING FERRULE - 185 mm (7/8 in) TO BE CRIMPED (J) is to join 2 lifeline wire ropes, or a lifeline wire rope to a zip line wire rope. Both wire ropes must have identical diameters. It can be installed with Ø12 mm (Ø 0.47 in) wire rope or Ø 1/2" in depending on the materials you have chosen. Never install materials designed for Ø 1/2" in wire rope on Ø12 mm wire rope or vice versa. Warning : The connections can only be made between 2 arms above a platform where the wire rope is slack. Only use those dies recommended by KOALA EQUIPMENT with a crimping tool exerting a force of at least 120 kN.

h



### FERRULE - 65 mm (2.5 in) LONG TO BE CRIMPED

REF : ME10

The purpose of the 65 mm (2.56 in) FERRULE TO BE CRIMPED (H) is to be swaged onto a wire rope, to put it under tension :

- horizontal activity : 1 FERRULE - 65 mm (2.5 in) TO BE CRIMPED (H) needed per arm.

- zipline : 3 or 5 FERRULES - 65 mm (2.5 in) TO BE CRIMPED (H) needed per arm.

Only use those dies recommended by KOALA EQUIPMENT with a crimping tool exerting a force of at least 120 kN.

Before swaging, we recommend that you place a KOALA EQUIPMENT POULIZ trolley on the lifeline in order to ensure that there are no obstacles on the lifeline.

l



### FERRULE - 18 mm (0.7 in) LONG TO BE CRIMPED

REF : ME14

The objective of the FERRULE - 18 mm (0.7 in) TO BE CRIMPED (L) is to fix the wire rope onto the SCREW-ON METAL BRACKET (M). FERRULE - 18 mm (0.7 in) TO BE CRIMPED (L) for SCREW-ON METAL BRACKET (M) can never replace a FERRULE - 65 mm (2.56 in) TO BE CRIMPED (H), even if there are many of them.

g



### SCREW-ON METAL BRACKET INVERTER

REF : ME49-F



In some cases, the SCREW-ON METAL BRACKET (M) can be fixed onto a SCREW-ON METAL BRACKET INVERTER (G) depending on which way the continuous belay is installed around the support.

w



### CONTINUOUS BELAY DEPARTING EXPLANATORY SIGN POST

REF : ME103-V2F AR



CONTINUOUS BELAY DEPARTING EXPLANATORY SIGN POST (W), combined with the SCREW-ON METAL BRACKET (M), to show users where to connect onto the continuous belay system at the start. The shape of the steel plate obliges the user to place the KOALA EQUIPMENT POULIZ trolley correctly.

W.1



### BACK-STOP

REF : ME114-F



The BACK-STOP (W.1), combined with the SCREW-ON METAL BRACKET (M), blocks the KOALA EQUIPMENT POULIZ trolley on sloping activities such as stairs.



### PU PAD 8mm for BACKSTOP - 60 shores

REF : PR27

Spare part

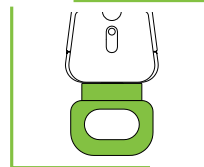
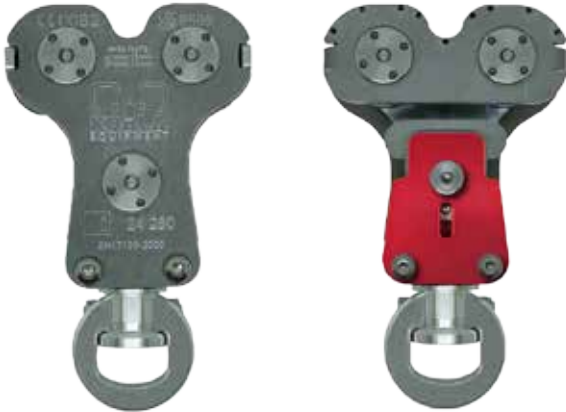


# PULLEY

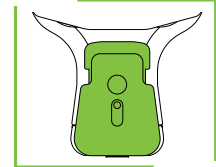
**Z.1**

**POULIZ 3.2**  
REF : PO13-2

Scan to see the usage video



**LANYARD ATTACHMENT**  
| NEW |  
WITH DETACHABLE SWIVEL



**OPEN / CLOSED**  
WITH LOCKING TOOL



**STAINLESS-STEEL BODY EXTENDED**  
| NEW |



**COMPLETELY REMOVABLE**  
| NEW |



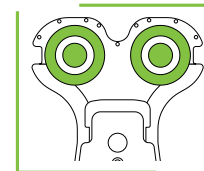
**COVER**  
**POULIZ 3.2**

REF : PR30

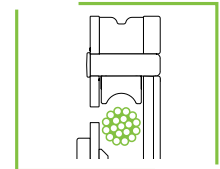
Spare part

810 g.  
(1.79 lbs)

80 km / h  
50 mph  
MAX.



**SHEAVES MOUNTED ON 2 SETS of 2 SEALED BALL BEARINGS**



**Ø MIN. = 12 mm (0.47 in)**  
**Ø MAX. = 13 mm (Ø 0.51 in)**

- COMPLIES WITH GUIDELINE 2016/ 425 / EEC
- COMPLIES WITH STANDARD EN17109: 2020
- MARKING UKCA

- MADE IN FRANCE
- GUARANTEED FOR 3 YEARS



**OPENING TOOL FOR**  
**POULIZ 3.2**

REF : ME184



**POCHETTE**  
**POULIZ 3.2 & SWITCH**

REF : EQ13



**HANDLE FOR**  
**POULIZ 3.1 & 3.2**

REF : ME115-F Z30



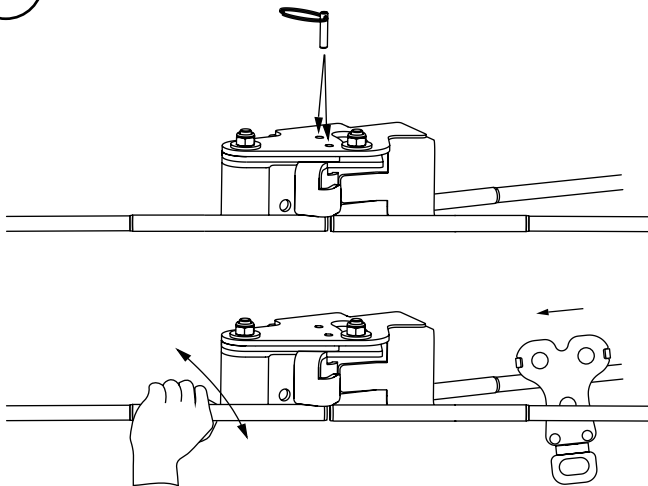
**HANDLE FOAM-**  
**POULIZ 3.1**

REF : PR29

Spare part



u



## CONTINUOUS BELAY SYSTEM SWAPPER

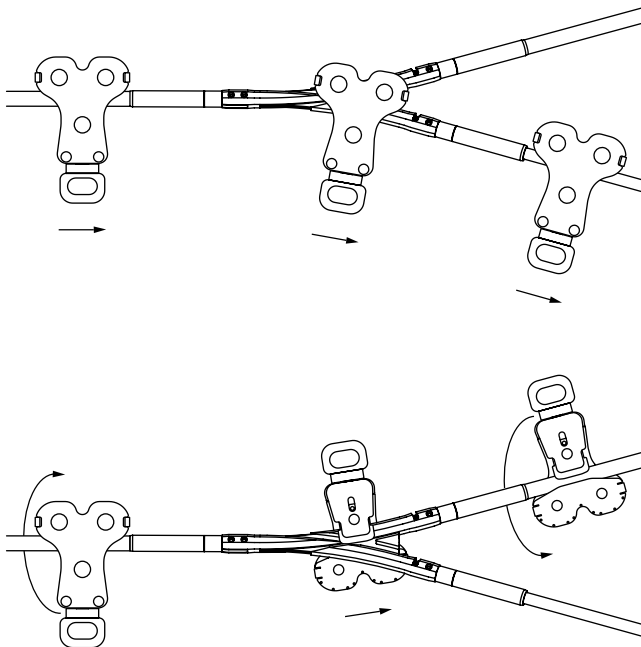
REF : ME09-1V21 right  
ME09-3V21 left



- The CONTINUOUS BELAY SYSTEM SWAPPER allows users to choose between 2 directions without disconnecting from the continuous belay. This device is exclusively compatible with KOALA EQUIPMENT POULIZ pulley.

- The user selects his / her preferred obstacle by activating the mobile part of the swapper.  
- The instructor can condemn the crossing or oblige users to use a chosen crossing by blocking the mobile part with the pin. A bolt can replace the pin.

y



## Y 2.0 SWAPPER

REF : ME108-V2F



- The Y 2.0 SWAPPER allows users to choose between 2 directions without disconnecting from the continuous belay. This device is exclusively compatible with KOALA EQUIPMENT POULIZ pulleys 1.1, 2.0, 2.1,3.0 and 3.1 This device is not compatible with KOALA EQUIPMENT POULIZ 1.0 pulley nor with any other connectors.

- There are 2 ways of operating this type of swapper:  
1. The user chooses to follow the way ahead in alignment with the swapper, so he / she just pushes the pulley along normally.  
2. The user chooses to go the other way and therefore has to tilt the pulley so that it is upside down, then passes the pulley into the swapper and tilts it back the right way up once he / she is on the right path.

Thanks to the 3 removable ferrules (page 25), the new Y 2.0 SWAPPER can be installed, removed and easily changed without cutting the wire ropes, in case of heavy wear.

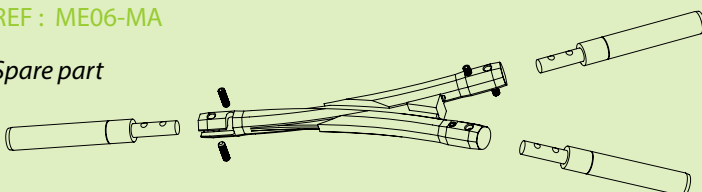
It allows to :

- create an escape route,
- offer an alternative route,
- Placed on each side of the tree on the platform, it enables to overtake and ease the flow.

## REMOVABLE FERRULE

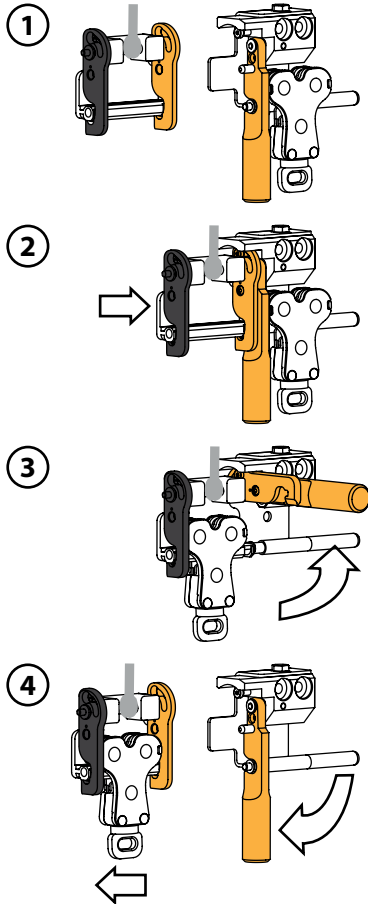
REF : ME06-MA

Spare part





## SWITCH



The SWITCH is a device composed of stations and a shuttle which guarantee KOALA EQUIPMENT continuous belay system continuity on :

- Vertical obstacles such as ladders, climbing walls, jumps into the void... requiring the use of fall arrester or descender.
- Swinging activities or pendulum jumps such as Tarzan swings,
- Any other obstacles requiring the use of a mobile anchor point.

Scan to see the usage video



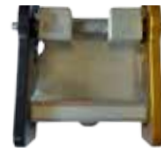
### SWITCH STATION

REF : ME87-20FD RIGHT  
REF : ME87-20FG LEFT

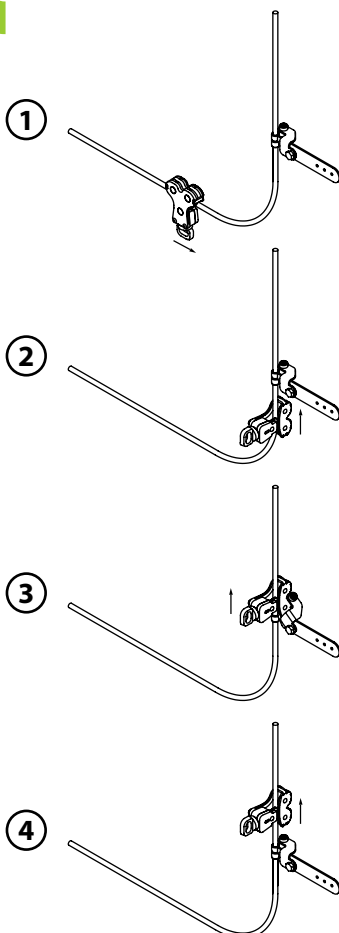


### SWITCH SHUTTLE

REF : ME86-F



## CLIMB-UP



CLIMB-UP, the new fall arrester for rigid vertical ladders.

- Simple to install on the side rails
- Easy to use for participants
- Adapted to KOALA EQUIPMENT continuous belay only
- Compatible with rigid vertical ladders only

### CLIMB-UP

REF : ME208-F



Scan to see the usage video

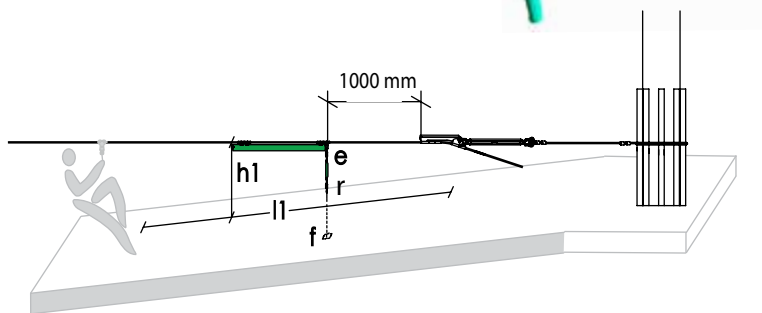


# CONTINUOUS BELAY SYSTEM ZIP BRAKES



## Emergency zipbrake 1 m (3,28 ft) with energy absorber

REF : AC30-1000V2



Scan to see the usage video

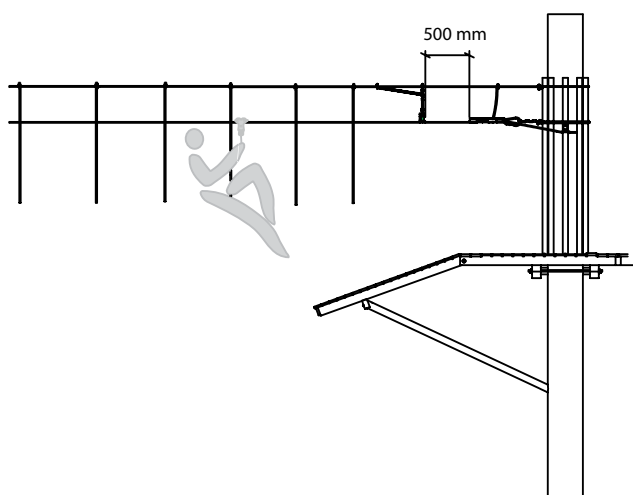


### Function of the device

The brake stops users at the end of a zipline. It can be used as the secondary brake.

### Instructions: (extract from the user manual «Installation, inspection, maintenance and instructions for use | Continuous belay stem KOALA EQUIPMENT)

Install the wire rope, the energy absorber (e) and the spring (r) in the landing zone, ensure that the attachment point to the ground withstands at least 800 daN. You can use the anchor (f) to help. The brake must be 1 m (3'3.7») from the arm. The height h1 must be based on the length on the lanyards, the type of harness and whether it is a main or secondary brake. For example : a sit harness with 60 cm (47.11») lanyards and a secondary brake,  $h1 = 1.40$  m (55 in) when the wire rope is free of a load (without a user). In this case the part of the landing zone below the brake must serve as a shock absorber (shock absorbing material, padding...). The length l1 must be adapted to the speed and the users' weight. Fit the foam buffer onto the brake tube and onto the vertical rope. Check that the brake slides smoothly on the wire rope.



## TREE TON TREE ZIP EMERGENCY BRAKE WITH ENERGY ABSORBER

REF : AC26

Scan to see the usage video



- Emergency zip brake with absorber for tree to tree zipline for continuous belay system.
- Weight : 1.57 kg (2.2 in)

# CONTINUOUS BELAY SYSTEM WITH HOOK



## ADVENTURE PARK

### RUPT

REF : VE20



- This approach is used to create a break in the continuous lifeline for activities such as "Big Tarzan Jump" or "Quick Flight"
- Made of 3 pieces
- Made of stainless steel

### PACK T

REF : VE17



- The T plates are used as entry and exit points of the course. They can also be used as intermediate points / via points
- In two parts : stainless steel and aluminium
- 6 stainless steel bolts 10x25mm (0.39 x 0.98 in) for assembling
- Working Load Limit WLL : 15 kN and breaking load : 33 kN
- Set up with anchor on strap and quick link or on a cable loop
- Weight: 2,08 lbs / 0,945 kg

### PACK 100

REF : VE16



- Anchor for ziplines shorter than 328 feet, as well as long activities
- In two parts : stainless steel and aluminum
- Working Load Limit WLL : 20 kN and breaking load : 38 kN
- Set up with anchor on strap and shackle or on a cable loop
- 8 hot-dip galvanized bolts 10x30mm (0.39 x 1.18 in) for assembling
- Weight : 2,43 lbs / 1,100 kg

### INOX 100

REF : VE10



- This stainless steel plate is used for obstacles and ziplines. Economical set up with wire rope clips. Possibility of assembling aluminium plates later on
- Working Load Limit WLL : 20 kN and breaking load : 60 kN
- Set up with anchor on a strap and shackle, or on a cable loop
- Weight: 1,36 lbs / 0,617 kg



### PACK T70

REF : VE19

- The T70 plates are used as entry and exit points of the course. They can also be used as intermediate points / via points
- In two parts : stainless steel and aluminium.
- 6 stainless steel bolts 10x25mm (0.39x0.98 in) for assembling.
- Working Load Limit WLL : 15 kN and breaking load : 33 kN
- For the set up: anchor on strap and quick link or on a cable loop
- Weight: 2.08 lbs / 0,945 kg

### PACK 100+

REF : VE17



- Plate for long ziplines and obstacle
- In two parts : stainless steel and aluminium.
- Working Load Limit WLL : 30 kN and breaking load : 82 kN
- Set up with anchor on strap and shackle or on a cable loop
- 14 hot-dip galvanized bolts 10x30mm (0.39 x 1.18 in) for assembling
- Weight: 3,77 lbs / 1,710 kg

### PACK 20

REF : VE15



- This system enables anchorage of obstacles that are below 65 feet -
- The conical shape makes the passage of the hook very intuitive
- In two parts : stainless steel and aluminium
- Working Load Limit WLL : 10 kN and breaking load : 27 kN
- Set up with anchor on strap and shackle or on a cable loop
- 6 hot-dip galvanized bolts 10x30mm (0.39 x 1.18 in) for assembling
- Weight : 1.54 lbs / 0,699 kg



## IPACK SINGLE

REF : VE14



- The Ipack Single are to be fixed onto the existing points. They are used to go up and down
- In two parts : stainless steel and aluminium
- 4 hot-dip galvanized bolts 10x30mm (0.39 x 1.18 in) for assembling
- Working Load Limit WLL : 20 kN and breaking load : 40 kN
- Set up with anchor using a screw on a wooden wedge, or a wire rope clip Ø12mm
- Weight: 0.89 lbs / 0,402 kg

## IPACK 80°

REF : VE12



- It makes it possible to attach to wire ropes, beams and other different supports.
- In two parts: stainless steel and aluminium
- Working Load Limit WLL : 20 kN and breaking load : 40 kN
- Set up with anchor using coach screw on a wooden beam
- 4 hot-dip galvanized bolts 10x30mm (0.39 x 1.18 in) for assembling
- Weight: 1,02 lbs / 0,461 kg

## X-QUAD

REF : VE21



- This cross allows the creation of passing zones, junctions on variations as well as access to various zones and way out
- In two parts : stainless steel and aluminium
- Working Load Limit WLL : 30 kN and breaking load : 90 kN
- Set up with anchor on A.FIX and quick link
- Set up with 8 M6 screws
- Weight: 2,23 lbs / 1,010 kg

## SCORPIO LANYARD

REF : VE05



- Lanyard with energy absorber
- VERTIGO WIRE LOCK connector optional
- VIA 8E with optional swivel

## OCHO + HOOK

REF : VE03

- In case of a fall the hook will automatically lock.
- Interchangeable V wearing part
- Integrated wear indicator
- Interchangeable shockproof shell with plastic bi-injection
- Breaking strength : 30 kN
- Complies with EN 17109:2020 standard
- EU type-examination certificate N°0082/2173/136/01/009
- Set up: make a lark's foot knot on the harness attachment point with the lanyard. Maillon rapide GO 8 mm PPE
- Material: aluminium
- Weight: 0,80 lbs / 0.364 kg



## IPACK SANGLE

REF : VE13



- The Ipack strap holds the wire rope in place between two plates.
- It prevents the wire rope from rubbing against the tree.
- Working Load: 20 kN.
- Breaking strength : 40 kN.
- Installation: anchored on a strap.
- 4 hot-dip galvanized bolts 10x30mm (0.39 / 1.18 in) for assembling.
- Weight : 460 g (1,01 lb).

## IPACK 4 80°

REF : VE11



- It makes it possible to attach to wire ropes, beams and other different supports.
- In two parts: stainless steel and aluminium
- Working Load Limit WLL : 20 kN and breaking load: 40 kN
- Set up with an anchor using a screw on a wooden wedge
- 4 hot-dip galvanized bolts 10x30mm (0.39 x 1.18 in) for assembling
- Weight: 1,02 lbs / 0,461 kg



## OCHO MAX HOOK V WEARING

REF : VE06



- In case of a fall the hook will automatically lock.
- Interchangeable V wearing part.
- Integrated evacuation system.
- Integrated wear indicator.
- Interchangeable shockproof shell with plastic bi-injection.
- Breaking strength: 30 kN.
- Complies with EN 17109:2020 standard.
- EU type-examination certificate N°0082/2173/136/20/0445.
- Set up: make a lark's foot knot on the harness attachment point with the lanyard. Maillon rapide GO 8 mm PPE.
- Material : aluminium.
- Weight : 364 g (0,80 lb).

## OCHO HOOK MAX

REF : VE04



- In case of a fall the hook will automatically lock.
- Interchangeable V wearing part
- Integrated evacuation system
- Integrated wear indicator
- Interchangeable shockproof shell with plastic bi-injection
- Breaking strength : 30 kN
- Complies with EN 17109:2020 standard
- EU type-examination certificate N° 0082/2173/136/20/0445
- Set up: make a lark's foot knot on the harness attachment point with the lanyard. Maillon rapide GO 8 mm PPE
- Material : aluminium
- Weight: 0,80 lbs / 0.364 kg

## CLASSIC HOOK

REF : VE01



- Breaking strength big axle : 25 kN ; small axle 12 kN
- Complies with EN 17109:2020 standard
- EU type-examination certificate N° 0082/2173/136/15/0088
- Set up: make a lark's foot knot on the harness attachment point with the lanyard. Maillon Rapide GO 8mm PPE
- Material : aluminium
- Weight: 0,56 lbs / 0,255 kg



## OCHO HOOK

REF : VE02

- In case of a fall the hook will automatically lock
- Integrated wear indicator
- Integrated evacuation system
- Interchangeable shockproof shell with plastic bi-injection
- Breaking strength : 30 kN
- Complies with EN 17109:2020 standard
- EU type-examination certificate N° 0082/2173/136/09/0443
- Set up: make a lark's foot knot on the harness attachment point with the lanyard. Maillon Rapide GO 8mm PPE
- Material : aluminium
- Weight: 0,80 lbs / 0.363 kg

## VIA FERRATA

### PACK 100

REF : VE16



- Anchor for ziplines shorter than 328 feet, as well as long activities
- In two parts : stainless steel and aluminum
- Working Load Limit WLL : 20 kN and breaking load : 38 kN
- Set up with anchor on strap and shackle or on a cable loop
- 8 hot-dip galvanized bolts 10x30mm (0.39 x 1.18 in) for assembling
- Weight : 2,43 lbs / 1,100 kg



### PACK 100+

REF : VE17

- Plate for long ziplines and obstacles more than 100m
- In two parts: stainless steel and aluminum
- Working Load Limit WLL : 30 kN and breaking load : 82 kN
- Set up with anchor on pin, lifting eye and shackle
- 14 hot-dip galvanized bolts 10x30 mm (0.39 x 1.18 in) for assembling
- Weight: 3,77 lbs / 1,710 kg

### NEWVIA 80°

REF : VE35



- This 80° square enables you to create points on the via ferrata. Two anchor points
- In two parts : stainless steel and aluminium
- 6 hot-dip galvanized bolts 10x30 mm (0.39 x 1.18 in) for assembling
- Working Load Limit WLL : 20 kN and breaking load : 40 kN
- Set up using two 12 or 14mm spits with chemical seal if required by the rock
- Weight: 2,71 lbs / 1,229 kg



### NEWVIA

REF : VE34

- This system enables you to use closed via ferrata pins. Fast equipment on existing points
- In two parts: stainless steel and aluminium
- 6 hot-dip galvanized bolts 10x30 mm (0.39 x 1.18 in) for assembling
- Working Load Limit WLL : 20 kN and breaking load : 40 kN
- Set up on any existing point with a wire rope clip
- Weight: 1,94 lbs / 0,878 kg



## IPACK 80°

REF : VE12

- It makes it possible to attach to wire ropes, beams and other different supports.
- In two parts: stainless steel and aluminum
- Working Load Limit WLL : 20 kN and breaking load : 40 kN
- Set up with anchor using coach screw on a wooden beam
- 4 hot-dip galvanized bolts 10x30mm (0.39 x 1.18 in) for assembling
- Weight: 1,02 lbs / 0,461 kg

## IPACK 4 80°

REF : VE11



- It makes it possible to attach to wire ropes, beams and other different supports.
- In two parts: stainless steel and aluminum
- Working Load Limit WLL : 20 kN and breaking load: 40 kN
- Set up with an anchor using a screw on a wooden wedge
- 4 hot-dip galvanized bolts 10x30mm (0.39 x 1.18 in) for assembling
- Weight: 1,02 lbs / 0,461 kg

## X-QUAD

REF : VE21



- This cross allows the creation of passing zones, junctions on variations as well as access to various zones and way out
- In two parts : stainless steel and aluminum
- Working Load Limit WLL : 30 kN and breaking load : 90 kN
- Set up with anchor on A.FIX and quick link
- Set up with 8 M6 screws
- Weight: 2,23 lbs / 1,010 kg

## A.FIX

REF : VE30



- This stainless steel system allows to set staggered points on the via ferrata. It is compatible with Xquad to create enough space for the passage of the hook
- Bend angle: 45°
- Set up using two 12 mm (0.47 in) or 14 mm (0.55 in) spits with chemical sealant if the rock requires it
- Weight: 0,93 lbs / 0.423 kg

## IPACK SINGLE

REF : VE14



- The Ipack Single are to be fixed onto the existing points. They are used to go up and down
- In two parts : stainless steel and aluminum
- 4 hot-dip galvanized bolts 10x30mm (0.39 x 1.18 in) for assembling
- Working Load Limit WLL : 20 kN and breaking load : 40 kN
- Set up with anchor using a screw on a wooden wedge, or a wire rope clip Ø12mm
- Weight: 0.89 lbs / 0,402 kg



## WEDGE

REF : VE33



- The stainless steel wedge enables the set Ipacks on open pins of all types.
- Working Load Limit WLL : 20 Kn and breaking load : 40 Kn
- Weight: 0,11 lbs / 0.049 kg

## SCORPIO LANYARD

REF : VE05



- Lanyard with energy absorber
- VERTIGO WIRE LOCK connector optimal connector
- VIA 8E with optional swivel

## OCHO + HOOK

REF : VE03

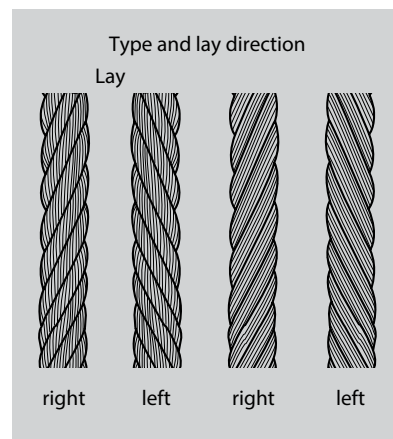
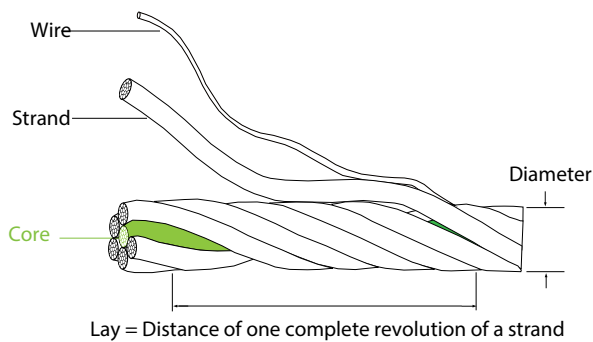


- In case of a fall the hook will automatically lock.
- Interchangeable V wearing part
- Integrated wear indicator
- Interchangeable shockproof shell with plastic bi-injection
- Breaking strength: 30 kN
- Complies with EN 17109:2020 standard
- EU type-examination certificate N°0082/2173/136/01/009
- Set up: make a lark's foot knot on the harness attachment point with the lanyard. Maillon rapide GO 8 mm (0.31 in) PPE.
- Material: aluminum
- Weight: 0,80 lbs / 0,364 kg

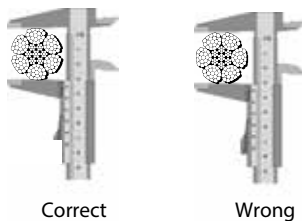
# WIRE ROPES & ACCESSORIES



## GENERAL INFORMATION



### Measuring the diameter



### Interpreting wire rope information

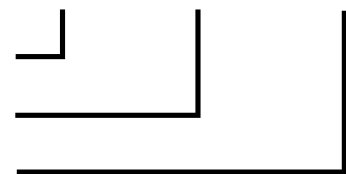
Ø12 mm 6 x 26 AM

(0.47 in)

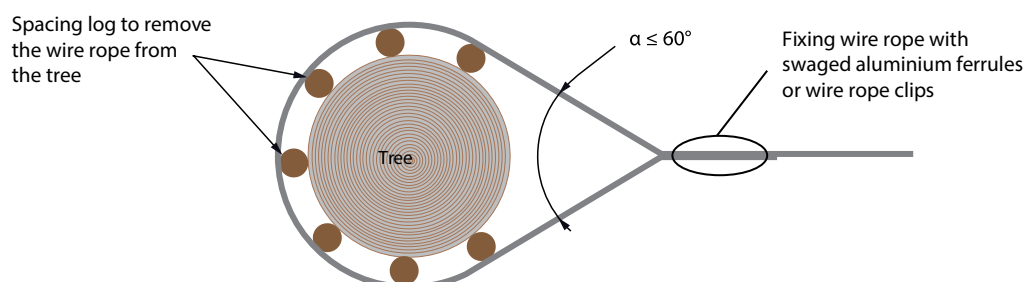
Number of strands

26 wires per strand

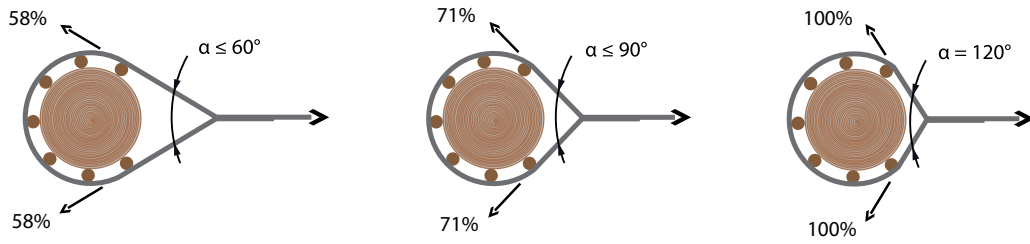
Wire strand core



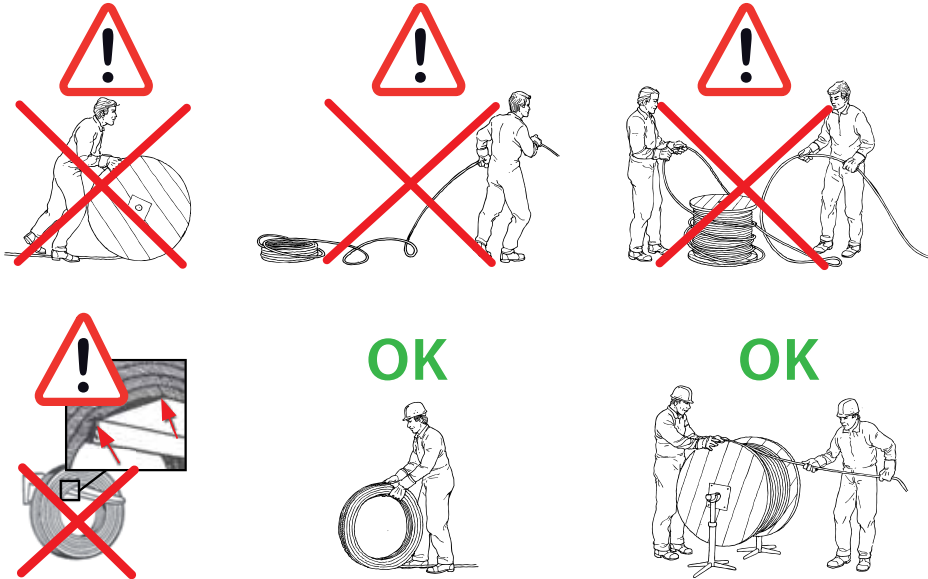
## INSTALLING A WIRE ROPE



## ANGLES & FORCES



## TRANSPORT & UNWINDING OF WIRE ROPES



## SOME EXAMPLES OF DEFAULT



Increase in diameter due to the extrusion of the core



Kink



External wear



Broken wires



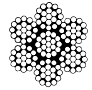
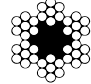

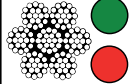

Reduction in wire rope diameter (hollowstand)



Broken wires in the grooves



# WIRE ROPES

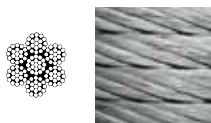
<p>7 x 19 AM Ø 12 mm (Ø 0.47in)</p> 	<p>6 x 7 AT Ø 12 mm (Ø 0.47in) LANG'S LAY</p> 	<p>6 x 26 AM Ø 12 mm (Ø 0.47in) IWRC SWAGED</p> 	<p>7 x 19 AM Ø 12 mm (Ø 0.47in) (EXT) Ø 10 mm (INT)</p> 	<p>19 x 7 AM Ø 12mm (Ø 0.47in) RESISTANT GALVA</p> 
---	---	---	---	--

## USE

	7 x 19 AM	6 x 7 AT	6 x 26 AM	7 x 19 AM (EXT)	19 x 7 AM
LIFELINE					
ZIPLINE					
OBSTACLE SUPPORTING					
BRACE CABLE					
HANDRAIL					
SAFETY LOOP					

## TECHNICAL INFORMATION

CORE	Wire strand core	Fiber core	Wire strand core	Wire strand core	Wire strand core
STRAND RESISTANCE	1770 N / mm <sup>2</sup>	1770 N / mm <sup>2</sup>	2160 N / mm <sup>2</sup>	1770 N / mm <sup>2</sup>	1960 N / mm <sup>2</sup>
MIN. BREAKING LOAD	110 kN	110 kN	142 kN	60 kN	94 kN
MAX. WORKING LOAD	22 kN	22 kN		12 kN	19 kN
SAFETY FACTOR	5	5	5	5	5

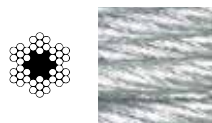


**7 x 19 WSC GALVANIZED WIRE ROPE Ø12 mm (Ø 0.47in)**

REF : CA04  
CUT TO SIZE

REF : CA04-B100  
100 m (3937 in) (328 ft)  
REEL

REF : CA04-B250  
250 m (9842 in) (820 ft)  
REEL

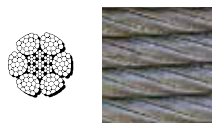


**6 x 7 FC LANG'S LAY GALVANIZED WIRE ROPE Ø12 mm (Ø 0.47in)**

REF : CA05

REF : CA05-B250  
250 m (9842 in) (820 ft)  
REEL

REF : CA05-B500  
500 m (19685 in) (1640 ft)  
REEL

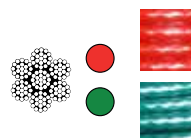


**6 x 26 WSC GALVANIZED SWAGED WIRE ROPE IWRC Ø12 mm (Ø 0.47in)**

REF : CA12

REF : CA12-B250  
250 m (9842 in) (820 ft)  
REEL

REF : CA12-B500  
500 m (19685 in) (1640 ft)  
REEL



**7 x 19 WSC Ø12 mm RED PLASTIC COATED WIRE ROPE Ø10 mm INT (Ø 0.39 in) / 12 mm (Ø 0.47in) EXT**

REF : CA01  
RED | CUT TO SIZE

REF : CA01-B200  
RED | 200 m (7874in)  
(656 ft) REEL

REF : CA02  
GREEN | CUT TO SIZE

REF : CA02-B200  
GREEN | 200 m (656 ft)  
REEL



**19x7 WSC ROTATION RESISTANT GALVANIZED WIRE ROPE Ø12mm (Ø 0.47in)**

REF : CA11-B250  
250 m (9842 in) REEL

# WIRE ROPE ACCESSORIES

## Ø12 mm (0.47 in) SWAGED THIMBLED WIRE ROPE 2 SOLID THIMBLES



REF : CA07-10 CUT TO SIZE

- Can resist tensions above 6000 daN : the wire rope thimbles doesn't deform under high tension
- Ø12 mm 7x19 WSC
- 2 swaged solid thimbled ends
- Length : cut to size | Up to 10 m (33 ft)
- Weight : 5 kg (11 lbs) for 7 m (23 ft)

## Ø12 mm (0.47 in) SWAGED THIMBLED WIRE ROPE 1 SOLID THIMBLE



REF : CA08-10 CUT TO SIZE

- Can resist tensions above 6000 daN
- Ø12 mm 7x19 WSC (Galvanized wire rope sling)
- 1 swaged solid thimbled end
- 1 free end
- Length : cut to size | Until 10 m (33 ft)
- Weight : 6 Kg (13 lbs) for 10 m (33 ft)

## Ø12 mm (0.47 in) SWAGED THIMBLED WIRE ROPE 2 THIMBLES



REF : CA06-10 CUT TO SIZE

- For tensions below 6000 daN
- Ø12 mm 7x19 WSC (Galvanized wire rope sling)
- 2 swaged thimbled ends
- Length : cut to size | Up to 10 m (33 ft)
- Weight : 4.6 kg (10 lbs) for 7 m (23 ft)

## WIRE ROPE CLIP « CE » FOR Ø12 mm (0.47 in) WIRE ROPE



REF : QU130-12

- Hot drop forged wire rope clip
- Compliant with European Standard EN 13411-5
- « Steel ends / Security / U-shaped wire rope clip »
- Weight : 130 g (0.3 lbs)

## WIRE ROPE CLIP « DIN 741 » FOR Ø12 mm (0.47 in) WIRE ROPE



REF : QU52-13

- Zinc plated wire rope clip DIN 741
- Weight : 122 g (0.3 lbs)

## SOLID ROPE THIMBLE S412-1/2



REF : QU013

- Allows to insert a connector and exert a strong tension on the wire rope
- For Ø12 mm (0.47 in) wire rope
- Weight : 270 g (0.6 lbs)

## BOW SHACKLE BOLT



REF : QU112-325 WORKING WLL : 32.5 kN  
REF : QU112-475 WORKING WLL : 47.5 kN  
REF : QU112-650 WORKING WLL : 65 kN

- Crosby® Bow shackle bolt and pin type G21300C with thin bolt head and pin nut
- Complies with the Federal Specification RR-C-271D Type IVA, Grade A, Class 3
- High strength alloy steel

## Ø12 mm WIRE ROPE THIMBLE



REF : QU01-12L

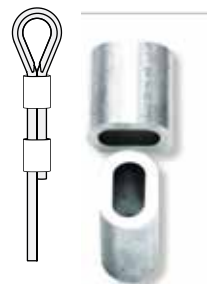
- For Ø 12 mm (0.47 in) wire rope
- Weight : 80 g (0.2 lbs)

## 2 CLEVIS TURNBUCKLE HR

REF : QU055-305 STROKE 305 mm (12 in)  
REF : QU055-457 STROKE 457 mm (18 in)

- Installed at the end of the zipline, to adjust zipline rope tension
- Threaded rod Ø : 22.2 mm (Ø 7/8 in)
- WLL : 3.27 t
- Weight : 4.3 kg (9.5 lbs) and 4.9 kg (10.8 lbs)

## ALUMINIUM FERRULE N°13 FOR SWAGING 2 Ø12 mm WIRE ROPES



REF : QU036-13

- To attach 2 wire ropes together
- Aluminium ferrule Ø int : ½" in
- To crimp with crimping tool REF : OU01-42CFM
- Weight : 60 g (0.1 lbs)





## TOOLS



### ELECTRO-HYDRAULIC CRIMPING TOOL - 120 kN (KLAUKE)

REF : OU01-42CFM TO PURCHASE  
REF : OU03 FOR RENT

- Crimping tool for swaging lifeline ferrules, aluminium and copper ferrules
- 2 speed hydraulic pump with fast-forward, automatic return after crimping, manual return if needed
- Power : 120 kN
- Included : 1 battery (Lithium ion 18 V) MAKITA
- To be used with a pair of dies adapted to the wire rope / not included
- Weight : 13 kg (28.7 lbs)



### BATTERY FOR KLAUKE CRIMPING TOOL (MAKITA)

REF : OU10-5A

- Fast battery charger
- 18 V / 5 A
- Weight : 640 g (1.4 lbs)



### BATTERY CHARGER DC18RA - 18V (MAKITA)

REF : OU11

- 18 V
- Weight : 950 g (2.1 lbs)



### HAND-OPERATED HYDRAULIC CRIMPING TOOL 120 kN

REF : OU05-HK12042

- Crimping tool for manually swaging lifeline ferrules, aluminium ferrules and copper ferrules
- Power : 120 kN
- To be used with a pair of dies adapted to the wire rope / not included
- Weight : 9.3 kg (20.5 lbs)



### IZUMI S-20 MANUAL HYDRAULIC CUTTER

REF : OU08

- Weight : 2.8 kg (6.2 lbs)



### IZUMI S-20 BLADE FOR MANUAL CUTTER

REF : OU09

- Weight : 37 g (0.1 lbs)



### PAIR OF DIES « 13 / 95 » - MONO-CABLE FERRULE Ø12 mm (Ø 0.47 in)

REF : OU02-1395 FOR CONTINUOUS BELAY SYSTEM FERRULES  
- Weight : 220 g (0.5 lbs) | Price per pair



### PAIR OF DIES « 13 / 120 » - MONO-CABLE FERRULE Ø1½" in

REF : OU02-13120US FOR CONTINUOUS BELAY SYSTEM FERRULES

- Weight : 226 g (0.5 lbs) | Price per pair

### PAIR OF DIES « 13 / 235 » - FOR ALUMINIUM FERRULES ON DOUBLE WIRE ROPE Ø12 mm (Ø 0.47 in)

REF : OU02-13235  
- Weight : 220 g (0.5 lbs) | Price per pair



### LEVER HOIST

REF : OU14-250 250 kg (551 lbs) ELEPHANT / Weight : 2.15 kg (4.8 lbs)  
REF : OU14-750 750 kg ÉLÉPHANT / Poids : 3.50 kg  
REF : OU14-1600 1600 kg (3527 lbs) ELEPHANT / Weight : 9.50 kg (21 lbs)

- ELEPHANT lever hoist specially designed for the tensioning of ziplines and heavy load handling



### FLAT WEB SLING EYE

REF : OU15-150 FLAT WEB SLING EYE & EYE SWL 20kN  
- Length 1.5m (4'11") | Weight : 570 g (1.3 lbs)

REF : OU15-300 FLAT WEB SLING EYE & EYE SWL 20kN  
- Length 3m (9'10") | Weight : 1 kg (2.2 lbs)



### CABLE PULLER OR « GRENOUILLE »

REF : OU06-LMG1 LMG1  
- For wire rope Ø5-15 mm (Ø 0.2-0.6 in)  
- Load 20 kN | Weight : 1.62 kg (3.6 lbs)



### PIEZO EXPRESS BLOW TORCH 8900

REF : OU17

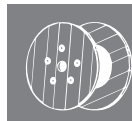
- Open and adjust the gas flow
- Piezo ignition and locking plate
- Weight : 630 g (1.4 lbs)
- Sold without gas cartridge
- Great autonomy (1h15)



### RATCHET PODGER SPANNER - 17 mm (0.67 in) and 19 mm (0.75 in)

REF : OU26-17 19

- Double wrench, ratchet
- Reversible right / left
- Weight : 475 g (1.1 lbs)



### FACOM DRIFT PUNCH - 4 MM (0,2 IN)

REF : OU12

- Diameter : 4 mm (0.15 in)
- Weight : 60 g (0.1 lbs)



### THREADLOCKER LOCTITE 243 - MEDIUM STRENGTH - 5 ML

REF : CS17-243 05

- Prevents loosening on vibrating connections
- Works on all metals, including passive substrates (e.g. stainless steel, aluminium, plated surfaces)
- P1 NSF Reg. No.: 123000
- Color : Blue
- Weight : 5 g (0.01 lbs)



### THREADLOCKER LOCTITE 270 - STRONG STRENGTH - 5 ML

REF : CS17-270 05

- High-strength general threadlocker for maximum efficiency
- Prevents loosening on vibrating connections
- Works on all metals, including passive substrates (e.g. stainless steel, aluminium, plated surfaces)
- P1 NSF Reg. No.: 123006
- Color : Green
- Weight : 5 g (0.01 lbs)





## THREADED ROD

REF : QU57-12X1000 Ø M12 x 1 m ( Ø 3.3 ft) /  
Classe : 4.8  
REF : QU57-18X1000 Ø M18 x 1 m ( Ø 3.3 ft) /  
Classe : 4.8  
REF : QU58-18X1000 Ø M18 x 1 m ( Ø 3.3 ft) /  
Classe : 8.8  
REF : AC10-1500 Ø M18 (Ø 0.7 in) x 1.50 m  
(4.9 ft) WITH ACCESSORIES

- Fully threaded



## 2 EYE TURNBUCKLE

REF : QU053-08 Ø8 mm (Ø 0.3 in)  
REF : QU053-12 Ø12 mm (Ø 0.5 in)

## GALVANIZED STEEL CLAMP Ø125 mm (Ø 4.92 in)

REF : PR16-GAL FOR PVC TUBE Ø125 mm  
(4.92 in)

- Internal diameter : Ø160mm (Ø 6.29 in)  
- External diameter : Ø220mm (Ø 8.66 in)  
- Weight : 45 g (0.1 lbs)

## Ø12 MM (0,47 IN) «COEUR» BOLT HAN- GER (PETZL)

REF : P36AS 12-U

- the wide, ergonomic connection hole facilitates carabiner clipping.  
- the width of the hole allows installation of two carabiners at the same time.  
- Available for 12 mm (0,47 in) bolts.  
- Certification(s): EN 795 A.  
- Weight : 43 g (0,09 lb).



## WELDED CHAIN Ø6 x 42 mm (Ø 0.2 x 1.7 in)

REF : QU09

- Weight : 620 g (1.4 lbs)  
- Galvanized steel

## WHITE BUNGEE CORD - PRICE PER METER (SANDOW)

REF : QU56

- Anti-UV treatment.  
- Highly weather resistant.  
- 100% natural latex core.  
- Slings capacity : 140%.  
- Colour : white.  
- Ø8 mm (0,31 in).  
- Weight : 66 g/m (0,14 lb for 3,28 ft).



## REINFORCED CLEAR HOSE ØINT 22 mm (0.9 in) ØEXT 16 mm (0.6 in)

REF : PR20-45 LENGTH : 45 cm (17.71  
in)  
REF : PR20-65 LENGTH : 65 cm (25.59  
in)

## M10 ZINC PLATED FEMALE LIFTING EYE

REF : QU04-10

- WLL : 230 kg (507 lbs).  
- Eye internal diameter : 25 mm (0,98 in).  
- Eye external diameter : 45 mm (1,77 in).  
- Weight : 95 g (0,21 lb)..





# OBSTACLES



## PLATFORM



### OCTOGONAL PLATFORM - 1.68 m (5'6") PRE-ASSEMBLED

REF : AC80

- 2 pre-assembled parts to be fitted together
- Cl.4 treated pinewood
- Delivered with 2 beams, 2 joists, 2 threaded rods, nuts, bolts, screw washers, nails, coach bolts and screws

## HORIZONTAL OBSTACLES

### ZIGZAG PLANK

REF : BO40-1000ZZ 1 m (39.37 in) ZIGZAG PLANK  
REF : AC43 1 m (39.37 in) COMPLETE ZIGZAG PLANK

- To be fixed on 2 wire ropes
- Cl.4 treated pinewood planed on 4 sides, 2 chamfers, 4 drillings
- Size : 12 x 100 x 2.7 cm (4.7 x 39.4 x 1.06 in)

### PLANK

REF : BO40-350 35 cm (13.8 in) PLANK  
REF : BO40-600 60 cm (23 in) PLANK  
REF : AC41 35 cm (13.8 in) COMPLETE PLANK  
REF : AC42 60 cm (23 in) COMPLETE PLANK

- To be fixed on 2 wire ropes
- Cl.4 treated pinewood planed on 4 sides, 2 chamfers, 4 drillings

### MONTALIVET CROSSING STEP

REF : AC76

- To be fixed on 2 wire ropes 50 cm (19.68 in) apart
- Made out of Cl.4 treated pinewood planks

### STEPPING STONE 60 cm x 1 m (23.62 x 39.37 in) + 4 ROPES

REF : AC21 WITHOUT ROPES  
REF : AC21-VL115 WITH 1.15 m (3'9") ROPES  
REF : AC21-VL210 WITH 2.10 m (6'10") ROPES  
REF : AC21-VL ROPES CUT TO SIZE

- 60 cm x 1 m (2 x 3.3 ft) Cl.4 treated pinewood

### PLANK CROSSING STEP - 60 cm x 1 m (23.62 x 39.37 in) ON WIRE ROPES

REF : AC15 WITHOUT FIXING ACCESSORIES  
REF : AC15-AC WITH FIXING ACCESSORIES

- To be fixed on 2 wire ropes 50 cm (19.7 in) apart
- Cl.4 treated pinewood planed on 4 sides, 2 chamfers, 8 drillings

### FLYING CARPET 60 cm x 1.68 m (2 x 5.1 ft) + 6 ROPES

REF : AC56 WITHOUT ROPES  
REF : AC56-VC115 WITH 1.15 m (3'9") ROPES  
REF : AC56-VC210 WITH 2.10 m (6'10") ROPES  
REF : AC56-VC ROPES CUT TO SIZE

- 60 cm x 1.68 m (23.62 x 39.37 in) Cl.4 treated pinewood

## PLANK CROSSING 60 cm x 1.68 m (23.62 x 39.37 in) ONE WIRE ROPES



REF : AC25 WITHOUT FIXING ACCESSORIES  
REF : AC25-AC WITH FIXING ACCESSORIES

- To be fixed on 2 wire ropes 50 cm (19.68 in) apart
- Cl.4 treated pinewood planed on 4 sides, 2 chamfers, 12 drillings

## TRAPEZE LOG - 60 cm (2 ft) + 2 ROPES

REF : BO24-1 WITHOUT ROPES  
REF : AC19-VL115 WITH 1.15 m (39.37 in) ROPES  
REF : AC19-VL210 WITH 2.10 m (78.74 in) ROPES  
REF : AC19-VL ROPES CUT TO SIZE

- Ø8 cm x 60 cm (Ø 3.14 x 23.62 in) Cl.4 treated pinewood, 2 x Ø11 mm (Ø 0.4 in) drillings

## « JAMOR » PINE LOG Ø8 x 35 cm (Ø 3.14 x 13.77 in)

REF : AC34

- Cl.4 treated pinewood, assembled with 2 eye bolts
- Size : Ø 8 x 35 cm (Ø 3.14 x 13.77 in)

## SPACING LOG

REF : BO25-350 Ø8 x 35 cm (Ø 3.14 x 13.77 in) SPACING LOG  
REF : BO25-600 Ø8 x 60 cm (Ø 3.14 x 23.62 in) SPACING LOG  
REF : BO28-500 Ø12 x 50 cm (Ø 4.72 x 19.68 in) SPACING LOG

- Allows space between 2 wire ropes
- Cl.4 treated pinewood, 2 x Ø18 mm (0.7 in) drillings

## BALANCE LOG

REF : BO29-5000 LENGTH : 5 m (16'5")  
REF : BO29-6000 LENGTH : 6 m (19'8")

- Log to be fixed between 2 platforms, Cl.4 treated pinewood
- Size : Ø14 cm x 5 m (Ø 5.51 x 196.85 in) or Ø14 cm x 6 m (Ø 5.51 x 236.22 in)

## SUSPENDED CROSS WITH 4 ROPES

REF : AC55-VC115 1.15 m (3'9") ROPES  
REF : AC55-VC220 2.10 m (6'10") ROPES

- Cl.4 treated pinewood

## CROSS 75 x 75 cm (29.52 x 29.52 in)

REF : AC51 WITHOUT FIXING ACCESSORIES  
REF : AC51-AC WITH FIXING ACCESSORIES

- To be fixed on 2 wire ropes 50 cm (19.68 in) apart
- Cl.4 treated pinewood planed on 4 sides, 2 chamfers, 8 drillings

## SUSPENDED LOG 3 m (118.11 in) + 2 ROPES

REF : AC23-2 WITHOUT ROPES  
REF : AC23-2VL160 WITH 1.60 m (3'9") ROPES  
REF : AC23-2VL210 WITH 2.10 m (6'10") ROPES  
REF : AC23-2VL ROPES CUT TO SIZE

- Ø8 cm x 3 m (Ø 3.14 x 118.11 in) Cl.4 treated pinewood, 2 x Ø11 mm (0.4 in) drillings

## SUSPENDED LOG 3 m (9.8 ft) + 4 ROPES

REF : AC18-2 WITHOUT ROPES  
REF : AC18-2C115 WITH 1.15 m (3'9") ROPES  
REF : AC18-2C210 WITH 2.10 m (6'10") ROPES  
REF : AC18-2C ROPES CUT TO SIZE

- Ø8 cm x 3 m (Ø 3.14 x 118.11 in) Cl.4 treated pinewood, assembled with 4 eye bolts

## SHERWOOD STEP 30 x 30 cm (11.81 x 11.81 in) + 1 ROPE

REF : AC22 WITHOUT ROPE  
REF : AC22-VC210 WITH 2.10 m (6'10") ROPE  
REF : AC22-VC ROPE CUT TO SIZE

- 30 cm x 30 cm (1 x 1 ft) Cl.4 treated pinewood

## YAMAZOE STEP 60 x 60 cm (23.62 x 23.62 in)

REF : AC33 WITHOUT FIXING ACCESSORIES  
REF : AC33-AC WITH FIXING ACCESSORIES

- To be fixed on 2 wire ropes 50 cm (19.7 in) apart
- Cl.4 treated pinewood planed on 4 sides, 4 drillings

## CHESS CROSSING STEP

REF : AC54 WITHOUT FIXING ACCESSORIES  
REF : AC54-AC WITH FIXING ACCESSORIES

- To be fixed on 2 wire ropes 25 cm (9.84 in) apart
- Cl.4 treated pinewood planed on 4 sides, 4 drillings

## MINI CROSS

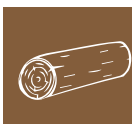
REF : AC46 WITHOUT FIXING ACCESSORIES  
REF : AC46-AC WITH FIXING ACCESSORIES

- To be fixed on 2 wire ropes 25cm (9.84 in) apart
- Cl.4 treated pinewood planed on 4 sides

## « U » ROPE

REF : CO10-C220 2.20 m (7'3") ROPE  
REF : CO10-C420 4.20 m (13'9") ROPE  
REF : CO10-C ROPE CUT TO SIZE

- To be placed directly onto the obstacle supporting wire rope





### TUNNEL FIXING KIT

REF : AC66

- Connects the tunnel support wire rope to the high support wire rope

### SKATEBOARD MOUNTED ON 4 PULLEYS

REF : AC47



- Skateboard with 4 pulleys instead of wheels
- Space between pulleys : 20 cm (7.87 in)



### CROSSING WALL BOARD

REF : AC69

- Size : 1.20 x 2.50 m (3' 11" x 8' 2")
- With climbing holds
- Cl.4 treated pinewood
- Weight : 60 kg (132.3 lbs)

### Ø0,80 M (31,50 IN) X 2,50 M (8,20 FT) TUNNEL

REF : AC27-2500



- To be suspended from a wire rope
- Standard length : 2.50 m (8'2")
- Cl.4 treated pinewood
- Can be cut to size
- Delivered as a DIY kit or assembled

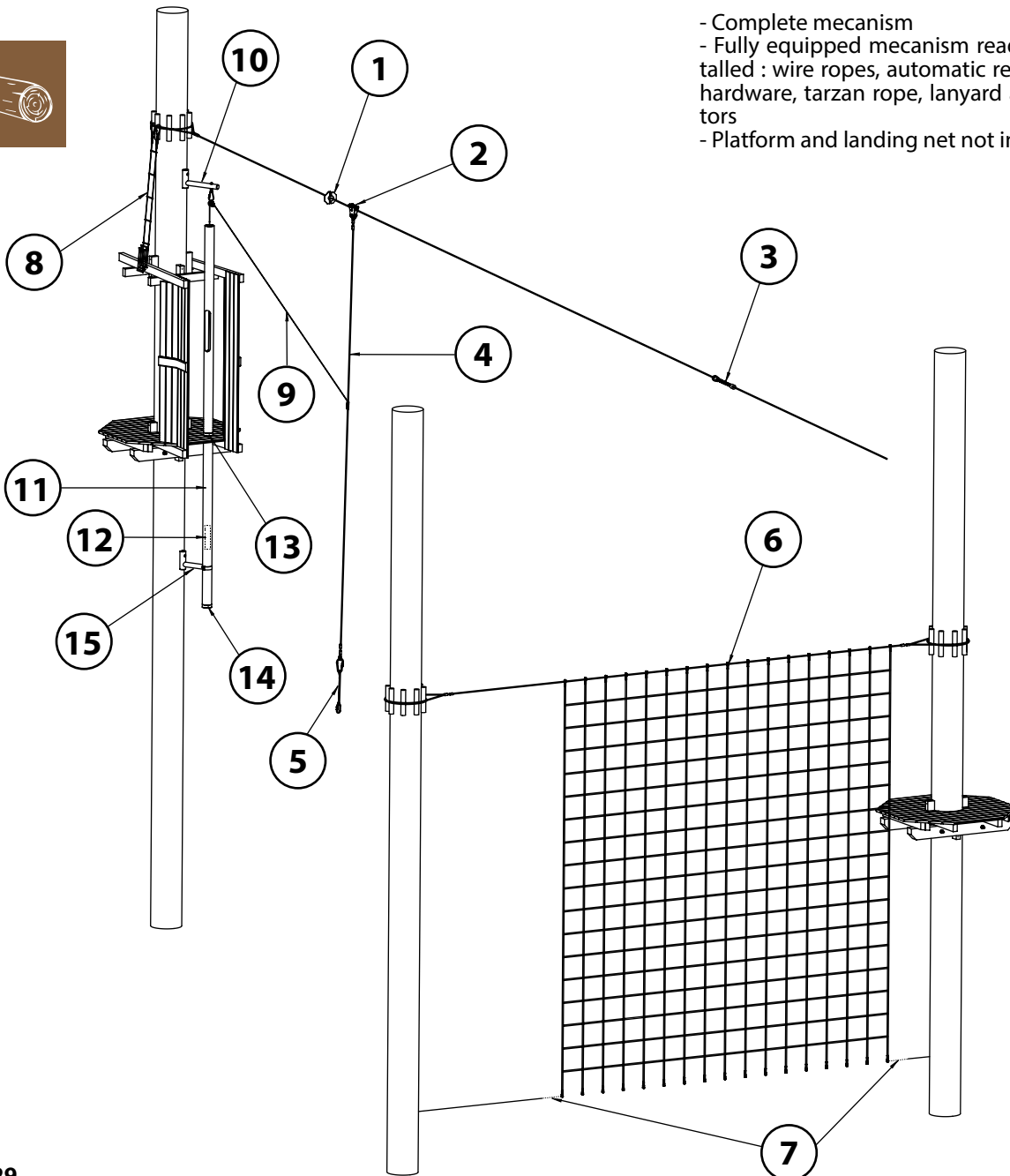


## VERTICAL OBSTACLES

### TARZAN SWING

REF : AC28 SMALL TARZAN SWING  
 REF : AC29 BIG TARZAN SWING

- Complete mecanism
- Fully equipped mecanism ready to be installed : wire ropes, automatic return system, hardware, tarzan rope, lanyard and connectors
- Platform and landing net not included



1



**TARZAN SWING STOP**

REF : AC40

2



**COMPLETE TARZAN PULLEY HOUSING**

REF : AC37

3



**TARZAN BRAKE 600mm**

REF : ME120

4



**VERTICAL CABLE FOR TARZAN SWING**

REF : CA06-TZ

5

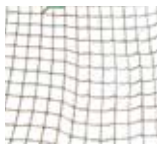


**TARZAN LANYARD WITH CONNECTORS**

REF : AC14-RV

REF : AC14-OV

6



**TARZAN SWING LANDING NET**

REF : FI08-TZ

7



**TARZAN NET ABSORBER**

REF : AC83

8



**GALVANIZED SPELEOLOGY LADDER - 5 m (16.4 ft)**

REF : QU02-05

9



**Ø5 mm (0.2 in) WHITE POLYAMIDE THREADED ROPE**

REF : CO06-05

10



**WOODEN TARZAN SWING TOP**

REF : AC39-PH WITHOUT ACCESSORIES

REF : AC39-PHC WITH MAILLON AND PULLEY

11



**PVC PIPE Ø125 mm (4.9 in)**

REF : AC16 WITH WINDOW - LENGTH : 2 m (6.6 ft)

REF : PR18-4000 STANDARD - LENGTH : 4 m (13'1")

12



**TARZAN SWING COUNTERWEIGHT**

REF : QU40-300 Lg 30 cm (1 ft)

REF : QU40-600 Lg 60 cm (2 ft)

13



**HAULING HOUSING**

REF : AC48

14



**TUBE END HOUSING FOR RETURN SYSTEM**

REF : AC58

15



**WOODEN TARZAN SWING BOTTOM**

REF : AC39-PB





## ROPE LADDER

REF : AC03-1

- Polyester ladder, without any accessories, beech wood rungs
- The 4 ends are equipped with swaged clevis to be fixed with connectors
- Length cut to measure | Price per metre

## ROPE LADDER TOP

REF : AC07-1 FRAME WITH THREADED BARS (WITH EYE BOLTS)

REF : AC07-2 FRAME WITH THREADED BARS (WITHOUT EYE BOLTS)

- Content : 2 \* 8 x 10 x 80 cm (3.14 x 3.93 x 31.49 in) joists (one is assembled with 2 eye bolts) + 2 x Ø18 mm (0.7 in) x 1 m (3.3 ft) threaded bars with fixing accessories. Space between eye bolts : 35 cm (1.1 ft)
- Cl.4 treated pinewood
- Weight : 15 kg (33.1 lbs) | Pre-assembled

## ROPE LADDER FOOT Ø14 x 100 cm (Ø 0.5 x 3.3 ft)

REF : AC01

- Log assembled with 2 eye bolts, Cl.4 treated pinewood
- Space between eye bolts : 35 cm (13.77 in)

## ROPE LADDER FIXING KIT

REF : AC11

- To fix to the 4 extremities of the ladder
- Content : 2 x Ø7 mm (Ø 0.3 in) oval quick links, 2 x 50 cm (19.68 in) chains, 2 x screw gate steel karabiners
- Weight : 825 g (1.8 lbs)



## TREE TRUNK LADDER

REF : AC04

- Steps cut from spruce trunk.
- Class 4 treated spruce trunk.
- Length: 4.50 m (177.16 in).



REF : AC05

- Wooden ladder with rounded rungs, 2 wooden bars
- Cl.4 treated pinewood
- Bars planed on 4 sides, chamfered angle « quarter-round »
- 25 cm (9.84 in) planed beechwood rungs
- Length : 4.50 m (14'9")



## MALLARD'S LADDER

REF : AC12

- 3 round-edged bars planed on 4 sides
- Cl.4 treated pinewood
- Beechwood rungs 25 cm (9.84 in)
- Length : 4.50 m (14'9")



## PARROT LADDER

REF : AC06

- Log equipped with alternate rungs
- Cl.4 treated pinewood
- Size : Ø140 mm x 5 m (Ø5.51 in x 16'48")

## REPLACEMENT RUNG FOR ROPE LADDER

REF : BO07

- Cl.4 treated pinewood | Weight : 275 g (0.6 lbs)



### CLIMBING HOLD PULSE JUGS XL

REF : QU121-XL

### CLIMBING HOLD FLAKES JUGS L

REF : QU120-L2

### CLIMBING HOLD ESSENTIAL JUGS XL

REF : QU120-XL

	CLIMBING HOLD PULSE JUGS XL REF : QU121-XL	CLIMBING HOLD FLAKES JUGS L REF : QU120-L2	CLIMBING HOLD ESSENTIAL JUGS XL REF : QU120-XL
MATERIAL	POLYESTER PE	POLYESTER PE	POLYESTER PE
STYLE	CLASSIC	CLASSIC	CLASSIC
DIFFICULTY	EASY	EASY	EASY
SHAPE	MONDO JUGS	JUGS	JUGS
PROFILE	OVERHANG	VERTICAL / OVERHANG	OVERHANG
FIXING	50 mm (2 in) bolt (not included)	50 mm (2 in) bolt (not included)	50 mm (2 in) bolt (not included)



# INFORMATION PANELS

## DIBOND ACTIVITY PANEL

REF : PA01-V2



- Board showing the activity diagram, how to connect onto the lifeline, the number of users on the activity and the level of difficulty
- Adhesively stuck laminated digital print
- See the 130 diagrams available at the end of the catalog
- For tailor-made boards : please contact us
- Size : 200 x 200 x 5 mm (7.9 x 7.9 x 0.2 in)
- Weight : 127 g (0.3 lbs)

## PANEL INDICATING THE TARZAN SWING EXIT

REF : PA07-G LEFT EXIT  
REF : PA07-D RIGHT EXIT



- PVC tarpaulin exit panel with 4 eyelets
- 2 different models depending on the net exit
- To be fixed on Tarzan swing landing net
- Size : 400 x 400 mm (15.8 x 15.8 in)
- Weight : 140 g (0.3 lbs)

## STEERING ARROW

REF : PA04



- Adhesively stuck laminated digital print
- Size : 270 x 80 x 4 mm (10.6 x 3.1 x 0.15 in)
- Weight : 25 g (0.05 lbs)

## SWING TARZAN PVC PANEL - RIGHT-HAND NET EXIT

REF : PA05-D exit to the right  
PA05-G exit to the left



- Dimensions: 250 x 580 x 5 mm.
- Model for right-hand thread exit.
- Weight: 258 g.

## « DANGER ZIPLINE » PVC PANEL

REF : PA20



- Panel indicating collision risk between a zipline user and pedestrians
- Adhesively stuck laminated digital print
- Can be translated into another language
- Size : 198 x 170 x 3 mm (7.8 x 6.7 x 0.1 in)
- Weight : 127 g (0.3 lbs)

## « REMAIN CONNECTED » PVC SAFETY PANEL

REF : PA10



- Panel indicating how to connect to the safety loop at an obstacle arrival
- Adhesively stuck laminated digital print
- Size : 140 x 200 x 5 mm (5.5 x 7.9 x 0.2 in)
- Weight : 69 g (0.2 lbs)

## « OK » SAFETY LOOP PANEL

REF : PA09



- Panel indicating how to connect to the safety loop at an obstacle arrival
- Printed yellow screen
- Size : 200 x 180 x 3 mm (7.9 x 7.1 x 0.12 in)
- Weight : 73 g (0.2 lbs)

## « NO ENTRY » SIGN FOR BRACE CABLES - DIBOND

REF : PA11

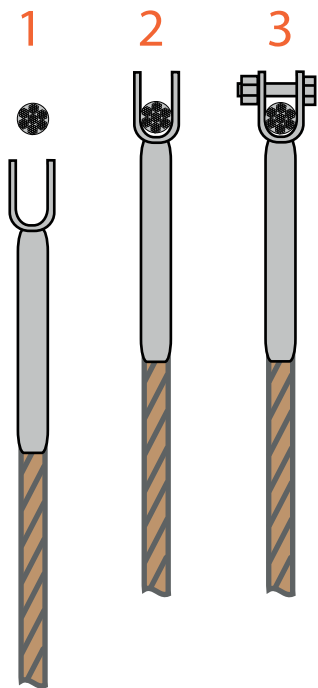


- Round « no entry » sign with a hole for adventure and rope course brace cables
- Dibond + adhesive sticker
- Size : Ø 90 mm (Ø 3.5 in)
- Weight : 25 g (0.05 lbs)

# ROPES & NETS

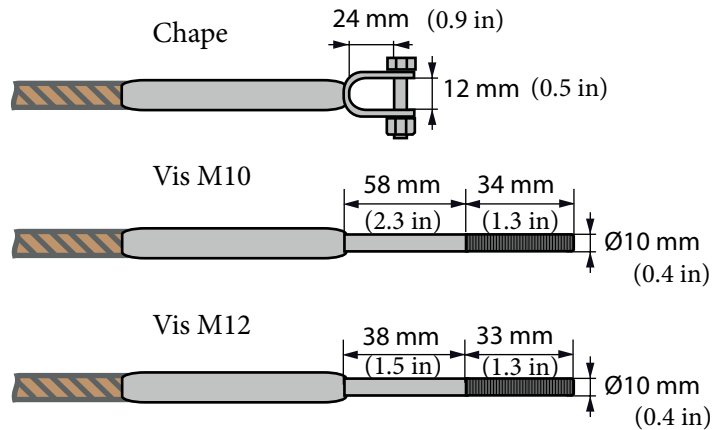


## EASYFIX CLEVIS ROPES



- Ø16 mm (Ø 0.6 in) beige polypropylene rope
- Resistance before slipping : 800 daN
- Standard or custom lengths

Different endings :



### EASYFIX ROPE 1 CLEVIS 1 SCREW 80 mm (0.3 ft)

- REF : CO10-VC CUT TO SIZE  
REF : CO10-VC115 1.15 m (3'9") ROPE  
REF : CO10-VC210 2.10 m (6'10") ROPE

- To be placed directly onto the activity supporting wire rope
- To hang wooden activities such as flying carpets, suspended crossshesherwood steps

### EASYFIX ROPE 1 CLEVIS 1 SCREW 100 mm (0.3 ft)

- REF : CO10-VL CUT TO SIZE  
REF : CO10-VL115 1.15 m (3'9") ROPE  
REF : CO10-VL160 1.60 m (5'3") ROPE  
REF : CO10-VL210 2.10 m (6'10") ROPE

- To be placed directly onto the activity supporting wire rope
- To hang wooden activities such as Ø80 mm (3.14 in ) logs and stepping stones



### DOUBLE CLEVIS EASYFIX ROPE

- REF : CO10-C CUT TO SIZE
- REF : CO10-C105 1.05 m (3'5") ROPE
- REF : CO10-C115 1.15 m (3'9") ROPE
- REF : CO10-C220 2.20 m (7'3") ROPE
- REF : CO10-C420 4.20 m (43'9") ROPE

- To be placed directly onto the activity supporting wire rope
- Can be connected to a wire rope, to an eye screw, karabiner or quick link



### EASYFIX ROPE WITH STIRRUP

- REF : CO10-E105 1.05 m (3'5") ROPE
- REF : CO10-E200 2 m (6'6") ROPE

- To be placed directly onto the activity supporting wire rope (high support cable)



### EASYFIX SUSPENDED ROPE TO CATCH

- REF : CO10-N CUT TO SIZE
- REF : CO10-N115 1.15 m (3'9") ROPE

- To be placed directly onto the activity supporting wire rope (high support cable on handrail)



## ROPES

### Ø10 mm (Ø 0.4 in) POLYPROPYLENE ROPE

- REF : CO01-10 CUT TO SIZE
- REF : CO01-10B100 100 m (328 ft) REEL

- Ideal for marking out trails in the forest
- Delivered in 100 m (393.7 ft) reel or made to measure
- Weight : 45 g (0.1 lbs) / m

### Ø16 mm (Ø 0.63 in) POLYPROPYLENE ROPE

- REF : CO01-16 CUT TO SIZE
- REF : CO01-16B300 300 m (984'3") REEL

- Weight : 117 g (0.3 lbs) / m

### Ø22 mm (Ø 0.9 in) POLYPROPYLENE ROPE

- REF : CO01-22 CUT TO SIZE
- REF : CO01-B100 100 m (328 ft) REEL

- Weight : 250 g (0.6 lbs) / m

### Ø5 mm (Ø 0.2 in) WHITE POLYAMIDE THREADED ROPE

- REF : CO06-05B100 100 m (328 ft) REEL
- REF : CO06-06B100 100 m (328 ft) REEL

- Ø 5 mm (Ø 0.2 in) diameter

### CORDE POLYESTER Ø08 - BLANCHE - BOBINE 100m

- REF : CO09-08B100 BOBINE 100 m

### RED CORD Ø5 MM (0,20 IN) (BEAL)

- REF : CO08-05B120R 120 m (393,70 ft) reel

- Material : nylon.
- Breaking load : 650 daN.

### INDUSTRY (BEAL) Ø10,5 MM (0,41 IN)

- REF : DE02-B200 200 M (656 FT) REEL

- Type A, compliant with EN 1891 standard and EEC.
- Maximum load : 2 700 daN.

### SAFETY ROPE INDUSTRIE PRO (BEAL) Ø10,5 MM (0,41 IN)

- REF : DE14-N
- REF : DE14-R

- Compliant with EN 1891 standard type A.
- Breaking strength : 3 290 daN.

### ROPE KIT FOR FLAT ZIPLINES

- REF : CO07-10 LENGTH : 10 m (32'8")
- REF : CO07-15 LENGTH : 15 m (49'2")
- REF : CO07-20 LENGTH : 20 m (65'6")
- REF : CO07-40 LENGTH : 40 m (131'3")

- Thimbled rope
- Contains 2 Maillon Rapide pear-shaped zinc plated Ø9 mm (Ø 0.4 in)



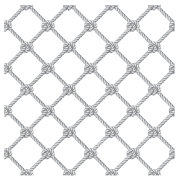
# NETS



## Ø5 mm (Ø 0.2 in) BEIGE BORDE-RED NET - 30 x 30 mm (1.2 x 1.2 in) MESH

REF: FI01 CUT TO SIZE

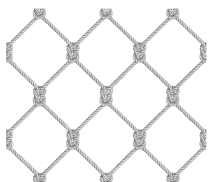
- Also called «catamaran net»
- Strong and comfortable walking net
- Polyamid selvedge on the border
- Weight : 800 g (1.8 lbs) / m<sup>2</sup> | Price per square metre



## Ø5 mm (Ø 0.2 in) WHITE SAFETY NET - 50 x 50 mm (2 x 2 in) MESH

REF: FI03 CUT TO SIZE

- Compliant with AFNOR standard 1263-1
- Bordered polyamide knotted net
- Cut to size width and length
- Weight : 565 g (1.3 lbs) / m<sup>2</sup> | Price per square metre



## Ø5 mm (Ø 0.2 in) WHITE NET - 100 x 100 mm (4 x 4 in) MESH

REF: FI16 CUT TO SIZE

- Bordered polyamide knotted net
- Made to measure length and width
- Weight : 500 g (1.1 lbs) / m<sup>2</sup> | Price per square metre



## Ø16 mm (Ø 0.6 in) NET - 300 x 300 mm (11.8 x 11.8 in) MESH

REF: FI09 MADE TO MEASURE

- Beige polypropylene net
- Clevises at the extremities can be installed on 1, 2, 3 or 4 sides according to your choice
- Clevises allow to fix the net on pre-installed wire rope or on ring
- Price per square metre



## TARZAN SWING LANDING NET

REF: FI08-TZ 480 x 4.80 m (15'9" x 15'9")

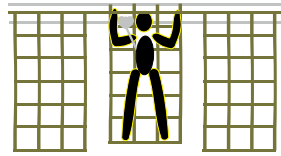
- Ø16 mm (0.6 in) beige polypropylene net
- Clevises on 2 opposite sides provide extended lifetime of the net
- Easy to install on wire rope with clevis bolts



## NET FIXING KIT

REF: AC61

- 4 x 40 cm (15.75 in) welded chain
- 4 x Ø 7 mm (0.28 in) zinc-plated pear «MAILLON RAPIDE»
- 4 x Ø 7 mm (0.28 in) Standard «MAILLON RAPIDE», zinc-plated
- 4 x Ø 8 (0.31 in) x 80 mm (3.15 in) zinc-plated screw-in eyebolts
- Weight: 1.70 kg (3.75 lb)



## Ø16 mm (Ø 0.6 in) NET - 300 x 300 mm (11.8 x 11.8 in) MESH - « PIRATE »

REF: FI10-PI 0.90 x 2.20 m (35.43 in x 7.2 ft)

- Clevises on the top small side
- Weight : 2.86 kg (6.3 lbs)



## Ø16 mm (Ø 0.6 in) NET - 300 x 300 mm (11.8 x 11.8 in) MESH - « SMALL U »

REF: FI12-SU 0.90 x 2.20 m (35.43 in x 7.2 ft)

- Clevises on 2 opposite sides
- Weight : 4.08 kg (9 lbs)



## Ø16 mm (Ø 0.6 in) NET - 300 x 300 mm (11.8 x 11.8 in) MESH - « BIG U »

REF: FI11-BU 0.90 x 4.20 m (35.43 in x 13.8 ft)

- Clevises on 4 both small sides
- Weight : 5.13 kg (11.3 lbs)



## Ø16 mm (Ø 0.6 in) NET - 300 x 300 mm (11.8 x 11.8 in) MESH - « HALF ULUWATU »

REF: FI14-HUL CUT TO SIZE

- Width : 2.40 m (7'10")
- Cute to size length
- Weight : 1796 g (3.9 lbs) / m<sup>2</sup> | Price per square metre



## Ø16 mm (Ø 0.6 in) NET - 300 x 300 mm (11.8 x 11.8 in) MESH - « ULUWATU »

REF: FI13-UL CUT TO SIZE

- Width : 4.20 m (13'9")
- Cute to size length
- Weight : 1190 g (2.6 lbs) / m<sup>2</sup> | Price per square metre

# PROTECTIVE PLASTICS



## PROTECTION CAP FOR NUT



REF : PR08-M8 FOR M8 NUT - Ø 8 mm (Ø 0.3 in)  
 REF : PR08-M10 FOR M10 NUT - Ø 10 mm (Ø 0.4 in)  
 REF : PR08-M12 FOR M12 NUT - Ø 12 mm (Ø 0.5 in)

- To be fitted on wire rope clip nuts
- Black polyethylene autolocking cap

## AUTOBLOCKING CAPS Ø18 mm (0,71 in)

REF : PR12-M18



- For M18 (0,71 in) threaded rods and hex nuts.
- Black LLD polyethylene autoblocking caps
- Optimum protection against corrosion thanks to the perfect fit of the cap on the threaded rod, thanks to the circular sealing lip.
- Withstands temperatures from -25°C to +70°C.
- Weight per 10 units: 70 g.

## THERMOPLASTIC END CAP



REF : PR11 FOR 12 mm (0.47 in) WIRE ROPE

- To protect wire rope ends
- Diameter before shrinking : 14 mm (0.5 in) | After max. shrinking : 5 mm (0.2 in)
- Length : 45 mm (1.8 in)

## HEAT-SHRINKABLE

REF : PR14



- For rope and wire rope protection
- Sticky internal surface
- Ø before shrinking : 50 mm (2 in) | Ø after shrinking : 13 mm (0.5 in)
- Length : 1 m (39.37 in)

## SPRING-SHAPED PLASTIC SHEATH

REF : PR15 Ø 15 mm (0.6 in)



- Protection sheath for ropes, nets, rope ladders
- Easy to install thanks to its spiral shape
- No need to dismantle the net or the rope ladder to install it

## PLATFORM EDGE PROTECTION

REF : PR38



- Dimensions : 300 x 300 x 1000 mm (11.8 x 11.8 x 39.4 in)
- Thickness : 100 mm (3.9 in)
- Weight : 2090 g (4.6 lbs)

## SPLIT TUBE - RED HARD FOAM

\* Closed cell foam, suitable for outdoor use

REF : PR01-200 FOR WIRE ROPE WITH FERRULES  
 REF : PR01-1000 FOR EMERGENCY ZIPBRAKE 1M (3'3" in) (REF AC30-1000)

- Ø internal : 30 mm (1.2 in) / Ø external : 60 mm (2.4 in) | Length : 20 cm (7.9 in)

REF : PR05-250 FOR WIRE ROPE WITH WIRE ROPE CLIPS

- Ø internal : 45 mm (1.8 in) / Ø external : 90 mm (3.5 in) | Length : 25 cm (9.8 in)

## SPLIT TUBE - PLASTICIZED REINFORCED HARD FOAM

REF: PR03-1000 Length 1 m (39.37 lb) Weight: 275 g (0.61 lb)

PR03-2000 Length 2 m (78.74 lb) Weight: 550 g (1.21 lb)

- Closed cell foam, suitable for outdoor use for pneumatic zipbrake
- Closed-cell polyurethane hard foam
- Ø internal : 60 mm (2.36 in) | Ø external : 120 mm (4.72 in)

## SPLIT TUBE - PLASTICIZED REINFORCED HARD FOAM

REF: PR07-1000 Length 1 m (39.37 lb)

- Closed cell foam, suitable for outdoor use for pneumatic zipbrake
- Ø internal : 50 mm (1.97 in) | Ø external : 86 mm (3.39 in)
- Closed-cell polyurethane hard foam
- Its integrated plastic cover eliminates the need for a tarpaulin



## PLASTIC COVERING FOR FOAM TUBES

\* Velcro fastening

REF : PR02-200 200 x 210 mm (7.9 x 8.2 in) - FOR FOAM TUBE REF : PR01-200

REF : PR06-250 250 x 305 mm (9.8 x 12 in) - FOR FOAM TUBE REF : PR05-250

REF : PR39-1000 230 x 1000 mm (9x 39.4 in) - FOR EMERGENCY ZIPBRAKE 1M (39.37 in) REF : AC30-1000)

REF : PR36 280 x 730 mm (11 x 28.7 in) - FOR PNEUMATIC ZIP BRAKE

## PLASTIC COVERING

\* velcro fixation

REF : PR04-1000 425 (16.7 in) x 1000 mm (39.4 in) - FOR EMERGENCY ZIPBRAKE (REF : AC30-1000)

REF : PR04-2000 425 (16.7 in) x 2000 mm (78.7 in)



# PPE EQUIPEMENTS



## HARNESSES

### CHILDREN



	REFERENCE	WAIST SIZE	LEG LOOPS	SPECIFICITIES	WEIGHT
OUISTITI (PETZL)	C068AA00	58-70 cm (1.112.3 ft)	32-40 cm (1.1-1.3 ft)	Max. weight : 30 kg (66 lbs)	410 g (0.9 lbs)
BAMBI II (BEAL)	BHB	54 cm (54 in)	35-60 cm (1.1-2 ft)	Max. weight : 40 kg (88 lbs) Bust height : 40-60 cm (14.74 in - 23.62 in)	350 g (0.8 lbs)
SIMBA PARK (PETZL)	C065AA00	/	51 cm (21 in) max.	Max. weight : 40 kg (88 lbs) Bust height : 35-60 cm (13.77 in - 23.62 in)	540 g (1.2 lbs)
BAMBINO (CAMP)	HA01	86 cm (33.85 in) max.	64 cm (25.19 in) max.	Max. weight : 40 kg (88 lbs)	374 g (0.8 lbs)
DRAGON 6A (CILAO)	HA05-6A	52-55 cm (20.47 in - 21.65 in)	40 cm (15.7 in) max.	Pelvis meas. : 64 cm (25.19 in) max.	200 g (0.4 lbs)
DRAGON 8A (CILAO)	HA05-8A	54-59 cm (21.25 in - 23.22 in)	44 cm (17.3 in) max.	Pelvis meas. : 68 cm (26.77 in) max.	210 g (0.4 lbs)

### YOUTH & ADULTS



AERO PARK IV (BEAL)	BHAP4	45-115 cm (19.7 - 48.4 in)	26-72 cm (15.7-31.9 in)	/	400 g (0.9 lbs)
IKKO (CILAO)	HA04-1	50-123 cm (20.5 - 37.4 in)	40-81 cm (1.3- 2.7 ft)	/	495 g (1.1 lbs)
TOPAZ (CAMP)	HA02	52-95 cm (1.7-3.1 ft)	30-70 cm (11.8 - 27.6 in)	/	420 g (0.9 lbs)
Harnais Panji spécial PAH (PETZL)	C028AA00	120cm (47,24 in)	75 cm (29,53 in)	/	480 g (1.1 lbs)
PANDION (PETZL)	C029AA00	53-120 cm (20.9 - 47.2 in)	35-75 cm (1.1-2.5 ft)	/	480 g (1.1 lbs)
GYM (PETZL)	C032AA00	60-101 cm (23.62-39.8 in)	67 cm (26.4 in) max.	/	480 g (1.1 lbs)
SWAN EASYFIT STEEL (PETZL)	C062AA00	<120 cm (47,2 in)	<75 cm (18.5 - 24.4 in)	/	1125 g (2.5 lbs)
NEWTON TAILLE 1 (PETZL)	C073AA01	70-93 cm (27.6 - 36.7 in)	47-62 cm (29.5 in)	/	1050 g (2.3 lbs)

### COMPLETE HARNESS KIT FOR YOUNGSTERS & ADULTS



GYM (PETZL) + ALP TOP-2 (CLIMBING TECH.)	PK14	60-101 cm (23.6 - 39.8 in)	67 cm (26.3 in) max.	Size : 160-205 cm (5.2-6.7 ft)	1030 g (2.2 lbs)
--	------	-------------------------------	-------------------------	--------------------------------	---------------------

### INSTRUCTORS



ASPIR (PETZL)	C024AA00	58-110 cm (22.8 - 43.3 in)	35-65 cm (13.8 - 25.6 in)	/	450 g (1 lbs)
---------------	----------	-------------------------------	------------------------------	---	------------------

### LARGE ADULTS









NEWTON TAILLE 2 (PETZL)	C073AA02	83-120 cm (32.7 - 47.2 in)	50-65 cm (19.6 - 25.6 in)	Size : 175-200 cm (5.7-6.6 ft)	1080 g (2.5 lbs)
-------------------------	----------	-------------------------------	------------------------------	--------------------------------	---------------------

### CHEST HARNESSES








VOLTIGE (PETZL)	C60	/	/	Chest size : 50-100 cm (1.6-3.3 ft)	280 g (0.6 lbs)
ALP TOP-2 (CLIMBING TECH.)	HA03	/	/	Chest size : 160-205 cm (5.3-6.7 ft)	550 g (1.2 lbs)

# CASQUES

	RÉFÉRENCE	TOUR DE TÊTE	SERRAGE	COULEURS	POIDS
<b>ENFANTS</b>					
	PICCHU (PETZL)	A049AA00 A049AA01	48-54 cm (18.9-21.3 in)	Push-buttons	2 330 g (0.7 lbs)
	TITAN S (CAMP)	CQ01-T1	48-56 cm (18.9-22 in)	Wheel	4 360 g (0.8 lbs)
<b>FEMMES ET ENFANTS</b>					
	ECLIPSE (CLIMBING TECH.)	CQ02	48-56 cm (18.9 - 22 in)	Wheel	4 300 g (0.7 lbs)
<b>JEUNES ET ADULTES</b>					
	PANGA (PETZL)	A030AA00-U	50-61 cm (19.7-24 in)	Flip & Fit	3 330 g (0.7 lbs)
	TITAN L (CAMP)	CQ01-T2	54-62 cm (21.3-24.4 in)	Scroll wheel	4 410 g (0.9 lbs)
	VERTEX VENT (PETZL)	A010CA00	53-63 cm (20.9-24.4 in)	Flip & Fit + Centerfit	7 490 g (1.1 lbs)

# LONGES

	RÉFÉRENCE	TYPE	LONGUEUR	TERMINAISON(S)	POIDS			
	JOKO-I custom (PETZL)	I	SIMPLE	made to measure	Small loop Sewn end protected (plastic sleeve)			
	DYNACLIP 75 (BEAL)	I	SIMPLE	75 cm (29.5 in)	Small loop Sewn end protected (plastic sleeve)	75 g (0.16 lbs) 		
3.0	AKRO-I 80 (CILAO)	I	SIMPLE	A C C	80 cm (31.5 in) 92 cm (36 in) 100 cm (39 in)	Lark's foot knot	90 g (20 lbs) 95 g (21 lbs) 99 g (22 lbs) 	
3.1	AKRO-I 92 (CILAO)							LO04-IT92
3.2	AKRO-I 100 (CILAO)							LO04-IT100
	AKRO-Y 67-109 (CILAO)	Y	ASYMMETRIC	AI	65-107 cm (25.6 - 42.1 in)	Small loop + Pier'O on short end (blue) Small loop + Pier'O on long end (red)	150 g (0.33 lbs) 	
2.1	AKRO-Y 76-98 (CILAO)	Y	ASYMMETRIC	A	76-98 cm (30 - 38.6 in)	Small loop on short end Small loop + Pier'O on long end	150 g (0.33 lbs) 	
3.0	AKRO-Y 76-98 (CILAO)	Y	ASYMMETRIC	A	76-98 cm (30 - 38.6 in)	Lark's foot knot on short end Small loop + Pier'O on long end	115 g (0.25 lbs)	
3.1								LO05-YT76 98
3.2								

\* All above lanyards connect to the harness with a simple lark's foot knot

\*A= for adult

\*C= for children

\*AI= for adult instructor

## TARZAN LANYARD

### TARZAN LANYARDS WITH CONNECTORS

- Placed at the lower end of the Tarzan swing wire rope, this lanyard connects onto the Adventure course user's harness

REF : AC14-RV



- Includes :
  - \* Pear-shaped zinc plated Maillon Rapide Ø12 mm (Ø 0.5 in) PPE - Red
  - \* JIM lanyard 45 cm (17.7 in)
  - \* Delta zinc plated Maillon Rapide Ø 8 mm (Ø 0.3 in) PPE - Green
  - \* K-ADVANCE double safety karabiner (green)
- Total length : 72 cm (28.3 in)

REF : AC14-OV



- Includes :
  - \* OVAL STEEL karabiner SG screw lock system
  - \* JIM lanyard 45 cm (17.7 in)
  - \* Delta zinc plated Maillon Rapide Ø 8 mm (Ø 0.3 in) PPE - Green
  - \* K-ADVANCE double safety karabiner (green)
- Total length : 68 cm (26.8 in)

## ACCESSORIES

### PINCH (BEAL)

REF : LP ONE SIZE FITS ALL



- Secures a karabiner at the end of a rope lanyard or ring keeping it firmly in place
- Made of particularly strong materials, it also provides effective protection against abrasion when in contact with rock

### STRING (PETZL)

REF : M090AA00 SIZE L  
REF : M090AA01 SIZE XL



- Keeps the karabiner in the correct position and protects the strap from abrasion



## PULLEYS

### PULLEY FOR KOALA EQUIPMENT CONTINUOUS BELAY SYSTEM

#### POULIZ 3.2 (KOALA EQUIPMENT)

REF : PO13-2



- Trolley for continuous belay system adventure courses
- Sheaves mounted on 2 sets of 2 sealed ball bearings
- Opening / Closing with locking tool
- Lanyard attachment with detachable swivel | NEW
- Stainless-steel body extended | NEW
- Completely removable | NEW
- Cover over the top
- Compliant with the PPE regulation 2016/425/ ECC
- Compliant with the EN 17109:2020 standard
- Made in France | Guaranteed for 3 years

#### OPENING TOOL FOR POULIZ 3.1 & 3.2

REF : ME184



#### POULIZ 3.1, 3.2 & SWITCH POCKET

REF : EQ13



#### HANDLE FOR POULIZ 3.1 & 3.2

REF : ME115-F Z30



### SELF BELAY SYSTEM PULLEYS



	REFERENCE	Ø MIN.	Ø MAX. (wire rope)	MAX SPEED	USE	WEIGHT
POULIZ 3.2 (KOALA)	PO13-2	12 mm (0.5 in)	13 mm (0.5in)	80 km / h 50 mph	Continuous belay	790 g (1.7 lbs)
TRAC GUIDE LT (PETZL)	P024DB00	9 mm (0.4 in)	13 mm (0.5 in) *	90 km / h 56 mph	Self belay	455 g (1 lbs)
TRAC GUIDE (PETZL)	P024AB00	9 mm (0.4 in)	13 mm (0.5 in) *	90 km / h 56 mph	Self belay	425 g (1 lbs)
DUETTO (CLIMBING TECH.)	PO06	9 mm (0.4 in)	12 mm (0.5 in) *	36 km / h 23 mph	Self belay	130 g (0.3 lbs)
TANDEM® SPEED (PETZL)	P21 SPE	9 mm (0.4 in)	12 mm (0.5 in) *	72 km / h 45 mph	Self belay	130 g (0.3 lbs)
TANDEM (PETZL)	P21	9 mm (0.4 in)	12 mm (0.5 in) *	72 km/h 45 mph	Self belay	195g (0.4 lbs)

(\* Ø MAX : Rope 13 mm (1/2 in))



## PAM (Platine A Mousqueton) for pulley



REF : PO01-1  
REF : PO01-2  
REF : PO01-3

for Trac pulley (Petzl)  
for Tandem pulley (Petzl)  
for Duetto pulley (Climbing Technology)

The PAM (Platine A Mousqueton) holds the karabiner to the pulley, preventing it from rubbing against the lifeline cable.

## RESCUE KITS

### RESCUE KIT

REF : PK06-20 Complete Rescue Kit Backpack - Up to 20 m (65'7")

- Includes : Bag (PETZL) 45 l + 1 K-Classic red gate karabiner + 3 Express slings 17 cm (6.7 in) + 3 L string to hold karabiners in place (for lanyards 15-20 mm / 0.6-0.8 in wide) + 1 Lime Straight karabiner + 1 Spatha knife + 6 oval steel karabiners WG automatic locking + 2 metres (6'6") white polyamid threaded cord Ø5 mm (Ø 0.2 in) + 1 Derope STD 20 m (65'7") rope + 1 IDS descender for ropes Ø10-11.5mm (Ø 0.4 - 0.43in) + 20 metres (65.6 ft) Antipodes rope Ø10,5 mm (Ø 0.4 in) + 1 blue flat web sling 80 cm (31'5") + 2 White Vertex Vent helmets 53-63 cm (20.9 - 24 in) + 2 pouches for rescue kit rope  
- Weight : 8.9 kg (19.6 lbs)

REF : PK06-30 Complete Rescue Kit Backpack - Up to 30 m (98'5")

- Includes : Bag (PETZL) 45 l + 1 K-Classic red gate karabiner + 3 Express slings 17 cm (6.7 in) + 3 L string to hold karabiners in place (for lanyards 15-20mm / 0.6-0.8 in wide) + 1 Lime Straight karabiner + 1 Spatha knife + 6 Oval steel karabiners WG automatic locking + 2 metres (6.6 ft) white polyamid threaded cord Ø5 mm (Ø 0.2 in) + 1 Derope STD 30 m (98.5 ft) rope + 1 IDS descender for ropes Ø10-11.5mm (Ø 0.4 - 0.43 in) + 30 metres (98.4 ft) antipodes rope Ø10,5 mm (Ø 0.4 in) + 1 blue flat web sling 80 cm (31.5 in) + 2 White vertex vents helmets 53-63 cm (20.8 - 24.8 in) + 2 pouches for rescue kit rope  
- Weight : 10.75 kg (22 lbs)

## KARABINERS

	REFERENCE	BREAKING STRENGTH   MAJOR AXIS	BREAKING STRENGTH   MINOR AXIS	BREAKING STRENGTH   OPEN GATE	OPENING	WEIGHT
	MO101	22 kN	8 kN	7 kN	32 mm (1.3 in)	71 g (0.16 lbs)
	MO06	23 kN	8 kN	8 kN	20 mm (0.8 in)	41 g (0.09 lbs)
	M40A WLU	25 kN	10 kN	8 kN	24 mm (0.9 in)	95 g (0.21 lbs)
	M36A BL	27 kN	8 kN	8 kN	27 mm (1 in)	90 g (0.20 lbs)
	MO09-2B	30 kN	10 kN	10 kN	22 mm (0.9 in)	87 g (0.19 lbs)
	MO07-V	30 kN	12 kN	12 kN	25 mm (1 in)	125 g (0.28 lbs)
	MO02	30 kN	15 kN	10 kN	19 mm (0.7 in)	176 g (0.39 lbs)
	MO12	30 kN	15 kN	10 kN	19 mm (0.7 in)	192 g (0.42 lbs)
	MO13	30 kN	15 kN	10 kN	22 mm (0.9 in)	193 g (0.43 lbs)
	M34A PL	27 kN	8 kN	7 kN	25 mm (1 in)	80 g (0.17 lbs)



# QUICK LINKS

REFERENCE	TYPE	Ø	MATERIAL	WORKING LOAD	BREAKING STRENGTH	PPE	WEIGHT
MRNZ03.0	Normal	3 mm (0.1 in)	Zinc - plated steel	50 kg (110 lbs)	8.5 kN ↓	NO	5 g (0.01 lbs)
MRNZ07.0	Normal	7 mm (0.3 in)	Zinc - plated steel	50 kg (110 lbs)	2750 kg ↓	NO	58 g (0.13 lbs)
MRNZ08.0 EN	Normal	8 mm (0.3 in)	Zinc - plated steel	-	35 kN ↓	YES	77 g (0.17 lbs)
MRNZ09.0 EN	Normal	9 mm (0.4 in)	Zinc - plated steel	-	45 kN ↓	YES	103 g (0.23 lbs)
MRNZIC10.0 EN	Normal	10 mm (0.4 in)	Zical	-	25 kN ↓	YES	49 g (0.11 lbs)
MRNZIC10.0 EN R	Normal	10mm (0.4 in)	Zical - Red (*)	-	25 kN ↓	YES	49 g (0.11 lbs)
MRNZ10.0 EN	Normal	10 mm (0.4 in)	Zinc - plated steel	-	55 kN ↓	YES	137 g (0.30 lbs)
MRNZ10.0 EN R	Normal	10 mm (0.4 in)	Zinc-Plated steel - Red (*)	-	55 kN ↓	YES	137 g (0.30 lbs)
MRNZ10.0 EN V	Normal	10mm (0.4 in)	Zinc-Plated steel - Green (*)	-	55 kN ↓	YES	137 g (0.30 lbs)
MRNI12.0	Normal	12 mm (0.5 in)	Inox	2.5 t	125 kN ↓	NO	238 g (0.52 lbs)
MRGOZ07.0 EN	Large Opening	7 mm (0.3 in)	Zinc - plated steel	-	2500 kg ↓	NO	61 g (0.13 lbs)
MRGOZ09.0 EN	Large Opening	9 mm (0.4 in)	Zinc - plated steel	-	4000 kg ↓	NO	118 g (0.26 lbs)
MRGOZ10.0 EN	Large Opening	10 mm (0.4 in)	Zinc - plated steel	-	50 kN ↓	YES	157 g (0.35 lbs)
MRDZ08.0 EN	Delta	8 mm (0.3 in)	Zinc - plated steel	-	27 kN ↓	YES	88 g (0.19 lbs)
MRDZ08.0 EN V	Delta	8 mm (0.3 in)	Zinc-Plated steel - Green (*)	-	27 kN ↓	YES	137 g (0.30 lbs)
MRDZ10.0 EN	Delta	10 mm (0.4 in)	Zinc - plated steel	-	55 kN ↓	YES	153 g (0.34 lbs)
MRDZ10.0 EN V	Delta	10 mm (0.4 in)	Zinc-Plated steel - Green (*)	-	55 kN ↓	YES	153 g (0.34 lbs)
MRPZ07.0	Pear-Shaped	7 mm (0.3 in)	Zinc - plated steel	320 kg (705 lbs)	16 kN ↓	NO	71 g (0.16 lbs)
MRPZ08.0	Pear-Shaped	8 mm (0.3 in)	Zinc - plated steel	480 kg (1058 lbs)	24 kN ↓	NO	105 g (0.23 lbs)
MRPZ09.0	Pear-Shaped	9 mm (0.4 in)	Zinc - plated steel	600 kg (1323 lbs)	30 kN ↓	NO	137 g (0.30 lbs)
MRPZ10.0 EN	Pear-Shaped	10 mm (0.4 in)	Zinc - plated steel	-	36 kN ↓	YES	183 g (0.40 lbs)
MRPZ12.0 EN	Pear-Shaped	12 mm (0.5 in)	Zinc - plated steel	-	44 kN ↓	YES	321 g (0.71 lbs)
MRPZ12.0 EN R	Pear-Shaped	12 mm (0.5 in)	Zinc-Plated steel - Red (*)	-	44 kN ↓	YES	321 g (0.71 lbs)
MRRDZ10.0 EN	Half-Moon	10 mm (0.4 in)	Zinc - plated steel	-	45 kN ↓	YES	153 g (0.34 lbs)
MRRDE10.0 EN V	Half-Moon	10 mm (0.4 in)	Zinc-Plated steel - Green (*)	-	45 kN ↓	YES	153 g (0.34 lbs)
MRPi16.0	Pear	16 mm (0.6 in)	Inox	2.7 t	13.5 t ↓	NO	754 g (1.66 lbs)

\* Possibility of using color code for participant safety

# FALL ARRESTERS

## ENERGY ABSORBER



### ASAP'SORBER - 20cm (7.9 in) (PETZL)

REF : L071AA 00

- Connects the ASAP mobile fall arrest device or ASAP LOCK to the harness
- Allows the user to move the rope away to free the work area and protect the rope from sharp tools and molten metal spraying
- Absorbs energy in case of falling by tearing of specific seams
- Weight : 100g (0.2 lbs)

## ASCENT DEVICES

### ISC ALF FALL ARRESTER BLOCK

REF : DE06



- Fall arrester with automatic return system
- Adapted to both vertical ascent and descent obstacles
- To be used with an Ø11 mm (Ø 0.43 in) Industrie (BEAL) safety rope
- Weight : 1.23 kg (2.7 lbs)

### TRUBLUE (HEADRUSH TECH.)

REF : DE17-12 12.50 m ROPE (41.0 ft)  
REF : DE17-20 TRUBLUE XL - 20 m ROPE (65.7in)



- Auto-belays
- Self-regulating induction braking system
- Designed without clutch release thus, eliminating a potential point of failure compared to other auto belay designs
- A webbing feeding system that maximizes the life of the webbing

## DESCENT DEVICES

### DEROPE STANDARD WITH ROPE (TRACTEL)

REF : DE03-20 20 m (65'7") ROPE  
REF : DE03-30 30 m (98'5") ROPE  
REF : DE03-40 40 m (131'3") ROPE

- Rescue descender allowing to bring back to the ground, in safety, a person at a height
- Delivered with a rope and 2 connectors

### COMPLETE RODEOSTOP FALL ARRESTER WITH 20 M (65,61 FT) ROPE

REF : AC09-20

- It can be used for both inclining and declining vertical activities.
- Weight : 3,700 kg (8,16 lbs).

### GRILLON LANYARD (PETZL)

REF : L052AA0L

- Adjustable lanyard for working position
- The mechanical adjustment system enables to easily adjust the length and the tension between 2 attachment points
- Length : 3 m (9'10")
- Weight : 530 g (1.2 lbs)

### 3 M (9,84 FT) ROPE FOR GRILLON LANYARD (PETZL)

REF : L052FA01

- Replacement rope for Grillon.
- Can be used with old Grillon lanyards (before 2018) and with new ones (after 2018).

### I'DS DESCENDER (PETZL)

REF : D020AA00

- Self-braking descender for ropes
- Anti-error safety catch to reduce the risk of an accident due to incorrect installation of the device on the rope
- The anti-panic function is engaged if the user pulls too hard on the handle
- For ropes between Ø10 and Ø11.5 mm (Ø 0.4 to Ø 0.43 in)
- Weight : 530 g (1.2 lbs)

### I'DL DESCENDER (PETZL)

REF : D020BA00

- Self-braking descender for ropes
- Anti-error safety catch to reduce the risk of an accident due to incorrect installation of the device on the rope
- The anti-panic function is engaged if the user pulls too hard on the handle
- 2 versions available (for 2 rope diameters)
- For ropes between Ø12.5 and Ø 13 mm (Ø 0.43 to Ø 0.51 in)
- Weight : 530 g (1.2 lbs)

### GRIGRI + (PETZL)

REF : D13A G

- Belay device with cam-assisted blocking, designed for the gym and crag
- The ergonomic handle allows you to easily unblock the rope and lower someone
- Anti-panic handle: if the user pulls too hard on the handle, the anti-panic function engages
- Weight : 200 g (0.4 lbs)



# ACCESSORIES



## PERSONNEL BACKPACK (PETZL)

REF : S44Y 015 15 l (3.3 gal)  
REF : S042BA00 45 l (9.9 gal)

- Durable backpack | Oval-shaped bottom
- Side handle and top loop for carrying and hauling + Adjustable straps
- Welded construction for greater strength

## EXPLOBAG (VERTICAL ADVENTURE)

REF : EQ04



- Rectangular caving bag
- Closes with both self grip and clip fasteners
- Internal space for hammer handle
- Attachment ring to snap on the belt of the caving sit-harness
- Height : 29 cm (11.4 in) | Width : 17 cm (6.7 in) | Depth : 8 cm (3.1 in)
- Weight : 200 g (0.4 lbs)

## GENIUS BUCKET (BEAL)

REF : EQ06



- 20 l (5.3 gal) bucket for tool carrying
- Clic clac pocket closure system
- Rigid carrying handle (max. 50 kg [110.2 lbs]), waterproof pocket, reinforced base
- Weight : 1.08 kg (2.2 lbs)

## GENIUS SIMPLE POCKET (BEAL)

REF : EQ11-S



- Bag for carrying small tools and fastenings
- Clic clac express closure
- Magnetic plate for temporary storage on the outside of the pocket
- Height : 23 cm x 15 cm (9.1 in x 5.9 in)
- Weight : 180 g (0.4 lbs)

## Caritool (Petzl)

REF : P042AA Taille S  
REF : P042AA01 Taille L



- Enables to grab and stash away tools single handed.
- Slides into harness straps and remains in an upright position.
- Small hole on top to attach a cord to the tools to prevent dropping gear.

## WHISTLE POUCH

REF : EQ08



- To be positioned on the harness belt
- Weight : 9g (0.02 lbs)



## AIR LEASH (BEAL)

REF : EQ10

- Extendable gear loop allowing tools to remain attached whilst in uses
- Extendable spiral cord & gear loop designed to attach tools
- Keylock system
- A reinforced webbing loop on the gear loop to clip tools to the harness using a karabiner between uses
- Weight : 55 g (0.12 lbs)

## Pixa 3 (Petzl)

REF : E78CHB 2



- Mounting plate for helmets included, operates on 2 AA/LR6 batteries (included).
- IP67: waterproof to -1 m (- 3,28 ft) for 30 minutes.
- Power : 100 lumens.

## BIG GLUE-IN ANCHOR (CLIMBING TECHNOLOGY)

REF : QU107



- Stainless steel anchor to be installed with chemical resin for use with heavy workload
- Ideal for use in corrosive environments
- AISI 304 stainless steel
- Weight : 200 g (0.4 lbs)

## BAT'INOX (PETZL)

REF : G102AA00-U



- Ø14 mm (Ø0.6 in) resin anchor
- Length : 10 cm (3.9 in)
- Material : forged stainless steel
- Ring breaking strength : 50 kN
- Weight : 250 g (0.6 lbs)

## NITRILE GLOVE WITH PIMPLES

REF : EQ12-09



- Ventilated back
- T9
- Weight : 30g (0.07 lbs)

## WHISTLE

REF : EQ07



- Allows the user to alert in the event of an incident
- Weight : 7g (0.01lbs)

## MOBCAP

REF : EQ01



- Round polypropylene mobcap for hygienic protection for helmets.
- Diameter : 53 cm (20,86 in).
- One-size-fits-all.
- Weight : 400 g (0,88 lb) a box.

# CONDITIONS GENERALES DE VENTE

## PRINCIPES GENERAUX

Les présentes Conditions Générales de Vente s'appliquent dans leur intégralité à toutes les Ventes de produits ALTUS / KOALA EQUIPMENT effectuées en France ou dans le monde.

Elles prévalent sur toutes conditions générales d'achat ou tous autres documents émanant du client, quels qu'en soient les termes ; toute commande adressée à ALTUS / KOALA EQUIPMENT impliquant l'acceptation sans réserve des tarifs de ALTUS / KOALA EQUIPMENT et des présentes Conditions Générales de Vente. Elles annulent et remplacent les précédentes conditions générales de vente.

Le fait que ALTUS / KOALA EQUIPMENT ne se prévale pas, à un moment donné, de l'une quelconque des présentes Conditions Générales de Vente ne peut être interprété comme valant renonciation à prévaloir ultérieurement de l'une quelconque des dites conditions.

### Commandes

Vous avez plusieurs façons de passer commande :

- en ligne sur notre site [www.koala-equipment.com](http://www.koala-equipment.com)
- par téléphone au 0033 (0)4 50 97 50 19 du lundi au vendredi de 8h00 à 12h00 et de 13h30 à 17h00 (heures françaises).
- par e-mail : [info@koala-equipment.com](mailto:info@koala-equipment.com)
- par fax au 0033(0)4 50 97 50 11
- ou par courrier : ALTUS / KOALA EQUIPMENT - 1191 route de Bidaille - 74930 SCIENTRIER - FRANCE.

Pour valider votre commande, il suffira de préciser les informations requises (produits choisis, mode de paiement, détail de livraison, adresse électronique) et d'effectuer votre paiement.

Les commandes ne peuvent être effectuées que par une personne majeure.

### Confirmation de commande

A réception de votre commande, un devis vous est alors envoyé précisant le coût d'expédition personnalisé de votre colis ainsi que le montant des matériels commandés. Nous nous engageons à vous envoyer ce devis dans les 48h (jours ouvrés en France) sous réserve de disponibilité de la pièce et de la compagnie de transport.

A réception de notre devis par courrier électronique, 3 moyens de paiement sont à votre disposition pour valider votre commande :

- par carte bancaire directement sur notre site internet
- par téléphone en nous indiquant votre numéro de carte bancaire
- par chèque bancaire émanant d'une banque domiciliée en France.

La commande deviendra définitive après confirmation par courriel par la société ALTUS / KOALA EQUIPMENT.

### Prix

Les prix des produits sont indiqués sans TVA. La TVA figurera sur votre facture si celle-ci s'applique. Le taux de TVA applicable est celui en place au moment de la validation du devis par un paiement et non le jour de la demande de ce dernier. En cas de modification de la part des autorités du montant de taxation, cette dernière sera applicable à tous les devis non validés par un paiement. Les prix des produits sont indiqués hors frais de port et frais de douane.

Tous les prix sont donnés sous réserve d'erreur typographique manifeste.

Les éventuelles remises quantitatives accordées sont calculées sur le montant total hors taxes des achats hors transport.

Elles ne s'appliquent pas sur les prix des parcours autoportants.

Les prix peuvent changer en cas de changement de taux change.

### Frais de port & emballage

Les frais de port vous sont facturés en sus du prix du produit, en fonction du poids ou de l'encombrement du colis. Ils sont calculés au plus juste grâce au choix du transporteur le plus adapté à votre colis et à votre adresse d'expédition. Lors de la livraison, ouvrez le colis en présence du transporteur. En cas d'avarie de transport, faites toutes réserves sur le bon du transporteur : il est seul responsable. Confirmez-lui par lettre recommandée dans les 3 jours. Le transporteur devrait vous dédommager.

### Paiement

Vous pouvez effectuer votre règlement par carte bancaire ou par chèque. La carte bancaire étant le moyen le plus pratique et le plus rapide.

Les cartes émises par des banques domiciliées hors de France doivent obligatoirement être des cartes bancaires internationales. En cas de règlement par carte bancaire, le montant de votre commande n'est débité qu'au moment de l'expédition de vos articles.

Le paiement par chèque bancaire n'est possible que pour des chèques en euros tirés sur une banque domiciliée en France.

En cas de paiement par chèque, la mise à l'encaissement du chèque est réalisée à la réception du chèque.

Le chèque devra être établi à l'ordre de « ALTUS / KOALA EQUIPMENT », et envoyé à l'adresse ci-dessous :

ALTUS / KOALA EQUIPMENT  
1191 Route de Bidaille  
74930 SCIENTRIER FRANCE

Attention, nous attendons le règlement et que le chèque soit encaissé et crédité sur notre compte pour expédier la commande.

### Réserve de propriété

Les marchandises restent notre propriété jusqu'au paiement complet du prix. Les risques afférents à la chose vendue (perte, détérioration) sont cependant transférés à l'acheteur dès la livraison, laquelle est réputée effective au départ de nos locaux.

### Facture

La facture originale vous est envoyée lors de la livraison des articles, dans le colis. Si l'adresse de facturation diffère de l'adresse de livraison, la facture vous est envoyée par courriel ou par courrier postal. Attention, bon de commande et confirmation de bon de commande ne peuvent faire office de facture.

### Litiges

Une éventuelle contestation sur la nature ou la quantité des articles reçus doit nous être transmise dans les 48 heures suivant la réception du colis.

Nous tâcherons de solutionner directement avec vous toute difficulté éventuelle dans l'exécution de vos commandes et leurs règlements.

Compréhension et bonne volonté dissipent bien des incidents ... heureusement peu nombreux. Cependant, si vraiment aucune solution ne venait à être trouvée, attribution de compétence sera faite aux tribunaux du siège social de la société Altus (Tribunal de Commerce, 10 rue de l'Hôtel de Ville, 74200 Thonon les Bains).

### Rétractation

Vous disposez de 7 jours francs après l'achat, pour nous retourner un produit sans avoir à en justifier le retour. Le matériel doit être évidemment rigoureusement neuf et retourné dans son emballage d'origine.

Joignez au matériel en retour, expédié obligatoirement en port payé (tout envoi en port dû serait refusé), une lettre explicative et la facture d'achat ou sa photocopie. S'il s'agit d'une erreur de notre part, ou d'un défaut du produit, le port vous sera remboursé sur la base du tarif normal de La Poste.

### Garantie

Avant de retourner un produit, pour éviter toute incompréhension ou fausse manœuvre, demandez-nous l'autorisation. Articles ayant été utilisés : les articles sont vendus sous la seule garantie du fabricant.

Est évidemment exclue de cette garantie l'usure normale en utilisation. Les articles retournés pour réparation ou demande de garantie doivent obligatoirement être propres et secs.

### Précautions quant à l'utilisation des matériels

La mauvaise installation ou utilisation des matériels de parcours aventure est potentiellement dangereuse (risque de mort) ; pour assurer votre sécurité vous devez acquérir la parfaite maîtrise des matériels et des équipements avant utilisation sur le terrain. ALTUS/ KOALA EQUIPMENT décline toute responsabilité en cas d'accident.

### Respect de la notice d'utilisation des EPI

Conformément à la norme, chaque EPI (Equipement de Protection Individuelle) est livré avec une notice d'utilisation. Il appartient à l'acheteur de s'y conformer.

## CONDITIONS DE LIVRAISON

### Frais de livraison

La première étape de la confirmation de la commande nécessite que vous créiez un compte client car les frais de livraison tiennent compte de l'adresse du destinataire.

Les frais de livraison sont systématiquement calculés au cas par cas, dès la réception de votre commande.

Un devis vous est alors envoyé précisant le coût d'expédition de votre colis ainsi que le montant des matériels commandés.

Nous nous engageons à vous envoyer ce devis dans les 48h (jours ouvrés français).

A réception de notre devis par courrier électronique, 3 moyens de paiement sont à votre disposition pour valider votre commande :

- par carte bancaire via un lien sécurisé.
- par téléphone en nous indiquant les détails de votre carte bancaire.
- par chèque bancaire émanant d'une banque domiciliée en France.

Nous pouvons envoyer des colis dans un grand nombre de pays. Cependant, pour des questions de garantie de produits ou de lois douanières, nous ne sommes pas en mesure d'expédier dans certaines régions du monde.

### Délais de livraison

Nous expédions toutes les commandes le jour même où nous recevons le paiement (sous réserve de disponibilité de la pièce et de la compagnie de transport). France Métropolitaine : Délai de livraison de 48 à 72 heures (sous réserve de disponibilité de la pièce et de la compagnie de transport)

### Disponibilité de stock

Dans le cas où le produit n'est pas disponible en stock, les délais de livraison sont fonction des délais de fabrication ou de livraison de nos fournisseurs.

Dans l'éventualité d'une indisponibilité de produit après passation de votre commande, nous vous en informerons par courriel ou par téléphone dès réception des informations reçues par les fournisseurs. Votre commande sera automatiquement annulée et vous serez remboursé(e) au plus tard dans les 30 jours à compter de votre paiement.

	<b>101*</b> Tyrolienne du Népal		<b>125</b> Pont Tibétain		<b>149</b> Traversée de Sherwood		<b>193</b> Les Petits U		<b>218</b> Petit Filet De Khatanga		<b>151</b> Echelle de Corde
	<b>102*</b> Poutre de L'Equilibriste		<b>126*</b> Passerelle du Trappeur		<b>150</b> Traversée de Jamor		<b>194*</b> Pont des Aravis		<b>219* Nouveau</b> Beppu		<b>152</b> Echelle de Papou
	<b>103*</b> Pont d'Amazonie		<b>127*</b> Passerelle en Planches		<b>171*</b> Traversée de Shunxin		<b>195*</b> Traversée du Mur		<b>220* Nouveau</b> Les Bascules		<b>153</b> Mur de Corde
	<b>104*</b> Passage du Grand Père		<b>128</b> Passage des Cordes		<b>172*</b> Traversée de Talloires		<b>196*</b> Half Pipe		<b>221* Nouveau</b> Marches Suspendues		<b>154</b> Echelle à Pommes
	<b>105</b> Passage du Canyon		<b>129*</b> Echelle Souple		<b>173*</b> Skate		<b>197*</b> Pont de Coolongalook		<b>222* Nouveau</b> Pont Détendu		<b>155</b> Montée en Petits Billons
	<b>106</b> Pont Victoria		<b>130*</b> Passerelle Zigzag		<b>174*</b> Pont des Pnottas		<b>198*</b> Grand Tibétain		<b>223* Nouveau</b> Grand Pont Croisé		<b>156</b> Echelle de Mallards
	<b>107</b> Etriers		<b>131*</b> Balancelles		<b>175*</b> Pont de Needwood		<b>199*</b> Uluwatu		<b>224* Nouveau</b> Mamushi		<b>157</b> Echelle de Perroquet
	<b>108</b> Traversée Infernale		<b>132*</b> Petits Tunnels		<b>176*</b> Pont de Pännjarve		<b>200</b> Petit Uluwatu		<b>225* Nouveau</b> Pont des Lutins		<b>158*</b> Echelle de Meunier
	<b>109*</b> Pont de la Jungle		<b>133</b> Passerelle de l'Equilibre		<b>177*</b> Balançoires Zigzag		<b>202*</b> Tunnel en Bois et Filet		<b>226 Nouveau</b> Petit Pont des Lutins		<b>159</b> Mur d'Escalade
	<b>110*</b> Pont en Filet		<b>134*</b> Passerelle Chinoise		<b>178</b> Petites Balançoires Zigzag		<b>203*</b> Nénuphar		<b>227*</b> Tunnel en Filet		<b>160*</b> Casier du Pêcheur
	<b>111*</b> Passage de l'Araignée		<b>135</b> Etriers Doubles		<b>179*</b> Petites Balançoires Zigzag		<b>204*</b> Petit Nénuphar		<b>228* Nouveau</b> Pont du Prisonnier		<b>162*</b> Casier en Bois
	<b>112*</b> Balançoires		<b>136</b> Petits Etriers		<b>180*</b> Pont de Coed		<b>205*</b> Pont de Khatanga		<b>229* Nouveau</b> Slalom		
	<b>113*</b> Pont Via Ferrata		<b>137*</b> Tyrolienne des Alpes		<b>181*</b> Tapis Volant		<b>206*</b> Petit Pont de Khatanga		<b>230* Nouveau</b> Escalade du Prisonnier		
	<b>114</b> Pont en Billons		<b>138</b> Pont de Chantemerle		<b>182</b> Petit Tapis Volant		<b>207*</b> Pont de Chamonix		<b>231* Nouveau</b> Balançoires d'Oural		<b>161</b> Echelle du Roc
	<b>115*</b> Tyrolienne des Andes		<b>139</b> Passage du Surplomb		<b>183*</b> Criss Cross		<b>208*</b> Petit Pont de Chamonix		<b>232 Nouveau</b> Petites Balançoires d'Oural		<b>201*</b> Pas du Roc
	<b>116*</b> Pont Indiana		<b>140</b> Pas du Géant		<b>184*</b> Petit Criss Cross		<b>209</b> Skyfall		<b>233* Nouveau</b> Plateaux d'Altaï		
	<b>117</b> Liane de Tarzan		<b>141</b> Petites Balancelles		<b>185*</b> Morpion		<b>210</b> Pont des Fées		<b>234 Nouveau</b> Petits Plateaux d'Altaï		
	<b>118*</b> Passage du Câble		<b>142*</b> Passage du Gué		<b>186*</b> Petit Morpion		<b>211*</b> Grand Pont des Fées		<b>235* Nouveau</b> Planches Swing		
	<b>119*</b> Passage du Chamois		<b>143</b> Pont Croisé		<b>187*</b> Pont d'ltchen		<b>212</b> Petit Pont de Coolongalook		<b>236 Nouveau</b> Petites Planches Swing		
	<b>120*</b> Pont Japonais		<b>144</b> Pont des Grandes Cordes		<b>188</b> Pont de Fuji		<b>213*</b> Pont de Montalivet		<b>237* Nouveau</b> Grand Pont en Billons		
	<b>121*</b> Filet Détendu		<b>145*</b> Passerelle Anglaise		<b>189*</b> Pont des Dames		<b>214*</b> Petit Pont de Montalivet		<b>238* Nouveau</b> Traversée de Tiki		
	<b>122*</b> Pont en Petits Billons		<b>146*</b> Pont de Bedok		<b>190*</b> Petit Pont des Dames		<b>215*</b> Double Coolongalook				
	<b>123</b> Petites Balançoires		<b>147*</b> Pas de Yamazoe		<b>191</b> Pont des Pirates		<b>216</b> Petit Double Coolongalook				
	<b>124*</b> Passage de l'Echelle		<b>148*</b> Pont de Velbert		<b>192*</b> Les Grands U		<b>217*</b> Filet de Khatanga				


## Activités Verticales

## Activités sur Rocher



[WWW.KOALA-EQUIPMENT.COM](http://WWW.KOALA-EQUIPMENT.COM)

1191 ROUTE DE BIDAILLE  
74930 SCIENTRIER  
FRANCE

 +33 (0)4 50 97 50 19

@ info@koala-equipment.com

